

ZJUI ECE 445

Senior Design Project

**DESIGN DOCUMENT (REVISED)**

---

# SMART POWER ROUTING WITH MPPT-BASED WIND TURBINE

---

## Project #19

Rong Li

郦融

rongli3@illinois.edu

Tiantian ZHONG

钟天天

tzhong7@illinois.edu

Zhekai ZHENG

郑哲楷

zhekaiz3@illinois.edu

TA: Bohao ZHANG (张博昊)

Sponsor: Prof. Lin QIU (邱麟)

April 24, 2024

# Contents

<b>1</b>	<b>Introduction</b>	<b>1</b>
1.1	Problem Statement . . . . .	1
1.2	Solution Overview . . . . .	1
1.3	Visual Aid . . . . .	1
1.4	High-Level Requirements . . . . .	1
<b>2</b>	<b>Design</b>	<b>3</b>
2.1	Wind Turbine . . . . .	3
2.2	Modular Multilevel Converter . . . . .	4
2.3	Power Router . . . . .	4
2.4	Voltage and Current Measuring Unit . . . . .	6
2.4.1	Current and Voltage Sensors . . . . .	6
2.5	DC-DC Converter . . . . .	6
2.6	System Controller . . . . .	7
2.6.1	Hardware Design . . . . .	8
2.6.2	Software Design . . . . .	8
2.7	Wireless Communication . . . . .	9
2.8	Local User Interface . . . . .	10
2.9	Remote User Interface . . . . .	10
2.9.1	MQTT Server . . . . .	10
2.9.2	Mobile App: PowerPeek . . . . .	11
<b>3</b>	<b>Tolerance Analysis</b>	<b>12</b>
3.1	Modular Multilevel Converter . . . . .	12
3.1.1	MMC Topology . . . . .	12
3.1.2	Nearest Level Control . . . . .	13
3.1.3	Simulation Results . . . . .	15
<b>4</b>	<b>Cost and Schedule</b>	<b>18</b>
4.1	Cost Analysis . . . . .	18
4.2	Schedule . . . . .	19
<b>5</b>	<b>Ethics and Safety</b>	<b>20</b>
5.1	Safety . . . . .	20
5.2	Ethics . . . . .	20
	<b>Appendix A Requirements and Verification Tables</b>	<b>22</b>
	<b>Appendix B Schematics</b>	<b>26</b>
	<b>References</b>	<b>31</b>

# 1 Introduction

## 1.1 Problem Statement

In 2023, China's wind power installed capacity reached 441.34 gigawatts, accounting for 15.11% of the total installed capacity for power generation, with a year-on-year increase of 20.7% [1]. This growth trend underscores the escalating demand for wind energy as a renewable power source. Moreover, there's a growing interest among ordinary consumers in small-scale wind power solutions, driven by a desire for decentralized energy generation and environmental sustainability.

However, challenges persist in the wind power sector, including issues of low stability inherent to wind energy, the substantial land footprint required by traditional large-scale installations, and the high maintenance costs associated with such setups. These drawbacks highlight the pressing need for innovative solutions that address the reliability and cost-effectiveness of a small-scale wind power generation system, particularly in the context of smaller, more accessible systems tailored to meet the evolving needs of diverse user groups.

Therefore, the project aims to design a small-scale wind power generation system with power routing functionality. This entails creating a compact and efficient system capable of harnessing wind energy while incorporating mechanisms to seamlessly switch between power sources to ensure an uninterrupted electricity supply. Key objectives include maximizing power output, enhancing system reliability, and optimizing energy management for diverse applications.

## 1.2 Solution Overview

The envisaged solution endeavors to furnish a comprehensive apparatus of appropriate dimensions tailored to furnish electrical power to consumers residing in regions characterized by significant wind activity. Comprising pre-assembled wind turbine apparatus, a power rectification module facilitating AC-DC conversion, and a suite of controllers facilitating maximum power point tracking (MPPT) and safety protocols, this solution is poised to address the exigencies of reliable and efficient power generation.

Moreover, a power routing mechanism is envisaged to seamlessly transition to an alternative power source in the event of wind turbine malfunction. Augmenting operational transparency, a user interface is incorporated to furnish real-time data encompassing voltage, current, and power source statuses. Additionally, to bolster safety protocols, supplementary fusing mechanisms and emergency shutdown functionalities are meticulously integrated into the design paradigm.

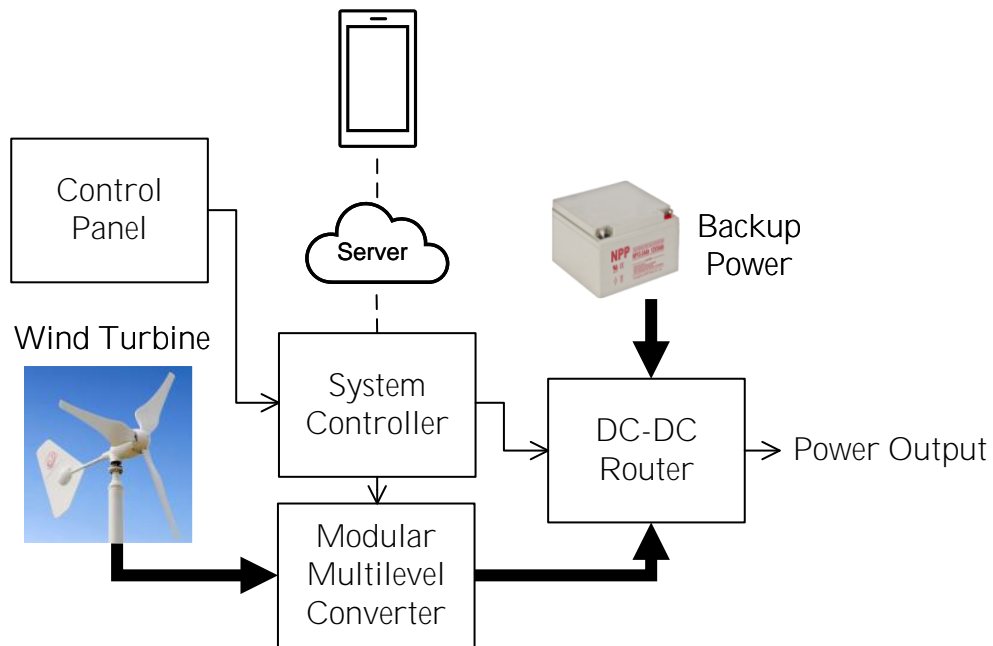
## 1.3 Visual Aid

The visual aid shows the components and their interconnections, which demonstrates the top-level design of the solution. It is shown in Figure 1.1.

## 1.4 High-Level Requirements

For the final implementation of our solution, the following high-level requirements must be satisfied:

1. The system must be able to deliver stable DC voltage  $12\text{ V}\pm 10\%$  and power up to 100 W. While the output voltage can be specified by the user using a mobile app, the current and voltage ripple should not exceed 10% in steady-state.
2. The system must be able to provide a local and remote user interface. The local user interface should indicate the basic status of the system (power on/off, running normally / in fault, WiFi connected/disconnected, backup power in use/standby/fault.)
3. The system must disconnect its output from the wind power and the backup power when power delivered to the users exceeds 150 W for more than 1 s.

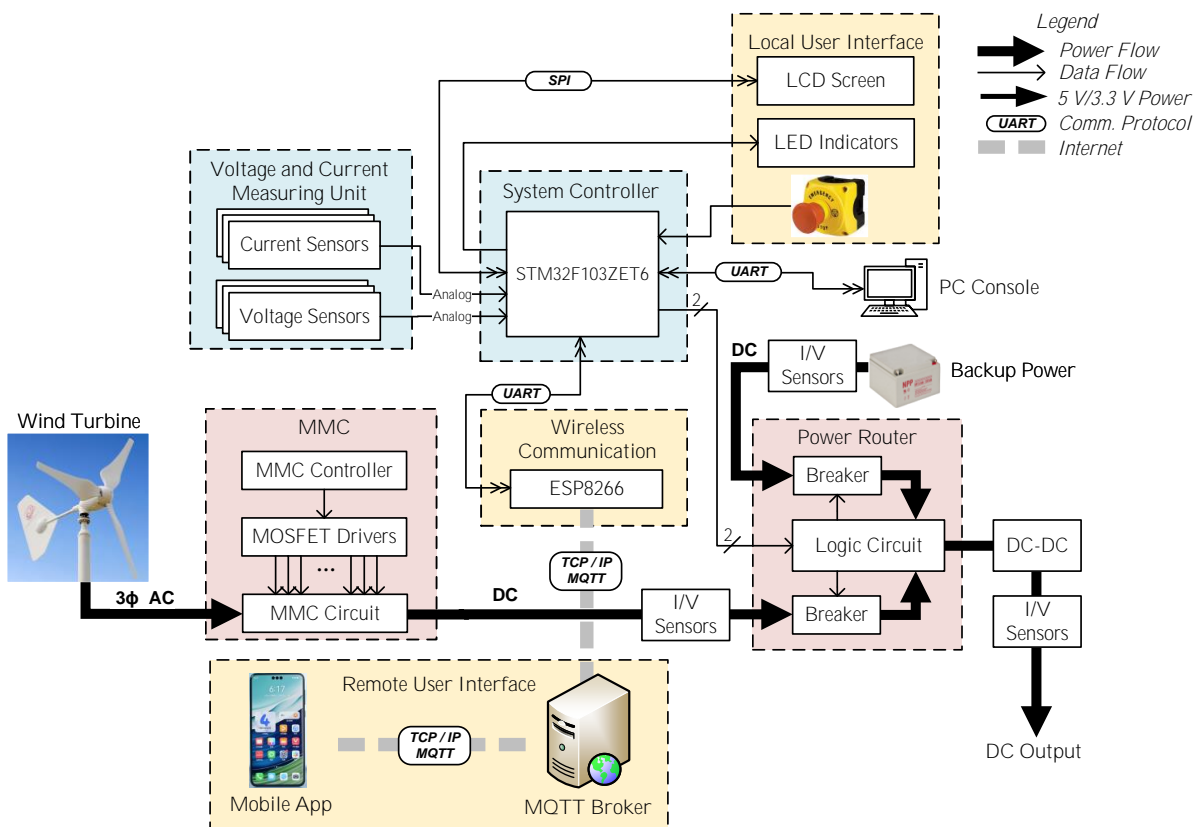


**Figure 1.1** The visual aid of the solution.

## 2 Design

The design of the system can be broken into three major parts. The power transmission module converts wind power to electricity and directs it to the users. The power routing module connects the output to the backup power source or the MMC based on the necessary power needed for the load. The system controller module processes the user interface, monitors the status of the system, and assures the safety of the system. Figure 2.1 presents the block diagram of the system.

All Requirements and Verification Tables (R&V Tables) are listed in Appendix A.



**Figure 2.1** The block diagram of the system.

### 2.1 Wind Turbine

The primary power source of the system is a horizontal-axis wind turbine, which is connected to the Modular Multilevel Converter (MMC, to be discussed in §2.2 and Chapter 3). It has eight blades and could automatically turn to the direction of wind. Table 2.1 lists the parameters of the wind turbine.

**Table 2.1** Parameters of the Wind Turbine

Item	Parameter
Rated Voltage	24 V
Rated Power	200 W
Rated Speed	950 rpm
Startup Wind Speed	1.5 m/s

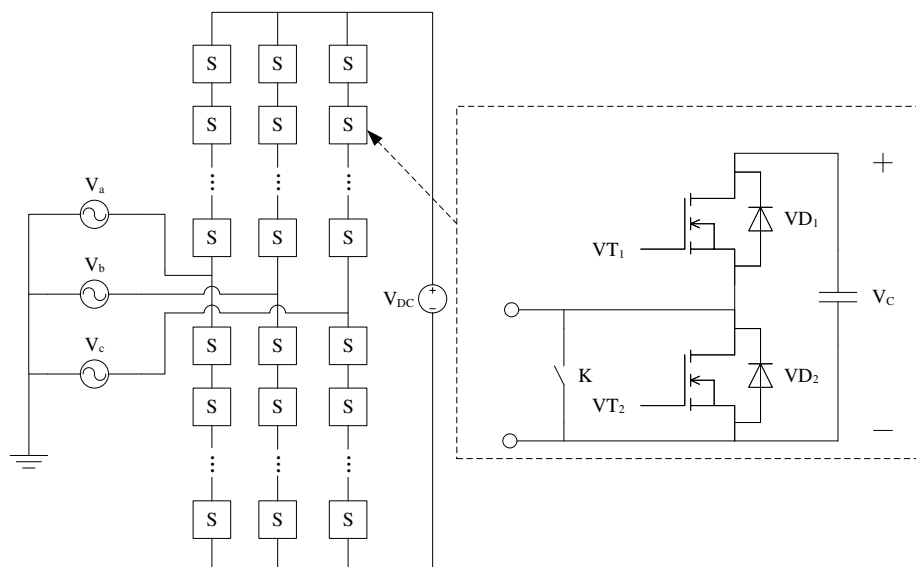
**Figure 2.2** The horizontal-axis wind turbine.

## 2.2 Modular Multilevel Converter

The Modular Multilevel Converter (MMC) is a AC-DC/DC-AC conversion technology conventionally used in High Voltage Direct Current (HVDC) transmission. The team tries to verify the feasibility of this technology in low-power scenarios and test its performance in this project.

The MMC is the key component of AC-DC conversion between the wind turbine and the user end. It automatically traces the maximum power point and adjust the output voltage, so as to maximize the efficiency of the wind turbine. While the circuit topology of an MMC is simple, the control algorithm poses a major challenge to the team. Figure 2.3 illustrates the circuit design of the MMC.

Chapter 3 will present a further discussion on the topology and the control algorithm of the MMC.

**Figure 2.3** The circuit of a modular multilevel converter.

## 2.3 Power Router

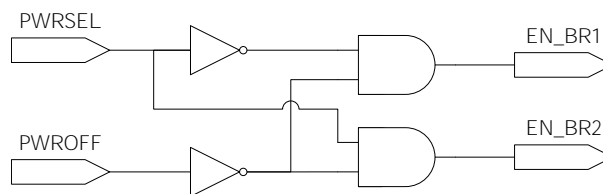
The power router is designed to switch between the MMC module and the backup power supply. It is composed of a logic control circuit and two electromagnetic relays, which can be controlled by a 5 V signal. The logic circuit receives a signal from the system controller (PWRSEL) and button (PWROFF), then gives two different signals to the two relays (one control the MMC and the other control the backup power supply), which is shown in Figure 2.4. There are two NOT gates and two AND gates in the

logic circuit, which are used to handle basic logic operations. When the PWROFF signal is high, the power router will switch to the backup power supply by give high voltage to the certain relay. When the PWRSEL signal is high and PWROFF signal is low, the power router will switch to the MMC module. Table 2.2 presents the truth table of the logic circuit.

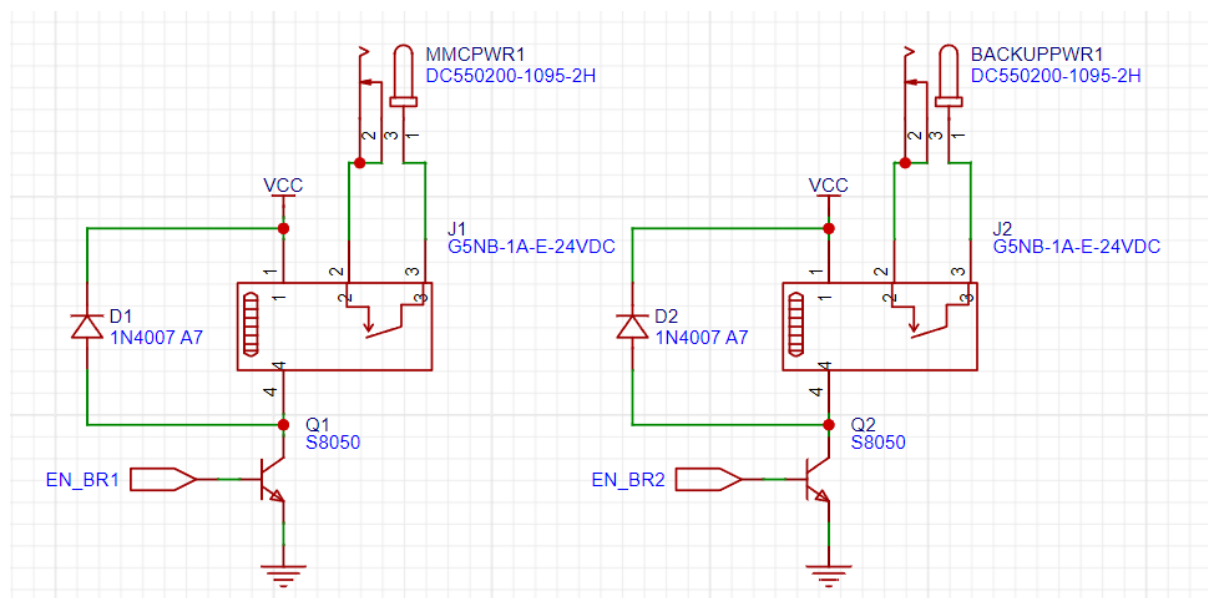
The two relays, shown in Figure 2.5, are used to switch the power source between the MMC and the backup power supply. When it receive the signal from the system controller, the high voltage will be given to the triode and connect the low side of relay to the ground, then the relay will close. A diode is also used to protect the relay from the reverse current. The power router is designed to handle a maximum power of 200 W and a maximum voltage of 24 V.

**Table 2.2** Truth Table of the Logic Circuit

<i>PWRSEL</i>	<i>PWROFF</i>	<i>EN_BR1</i>	<i>EN_BR2</i>
0	0	1	0
0	1	0	0
1	0	0	1
1	1	0	0



**Figure 2.4** The logic circuit.



**Figure 2.5** The two relays.

## 2.4 Voltage and Current Measuring Unit

The Voltage and Current Measuring Unit (VCMU) is designed to measure the voltage and current. The voltage sensor is composed of a voltage divider and then it will give the small voltage to the control part. The voltage divider is used to measure the output voltage of the MMC module, the back up power and the output of the system, the divider is also shown in Figure 2.6. The maximum input voltage is 30 V, and the voltage divider is designed to convert the input voltage to 3 V to match the input voltage of the control part.

### 2.4.1 Current and Voltage Sensors

The current measurement is composed of a current sensor chip, which is shown in Figure 2.7, and its accessory circuit. The current sensor is used to measure the current and change it to output voltage. Here we use existing MT9523CT-20BF5, which is a Hall effect-based linear current sensor chip and could measure up to 20 A DC current. The voltage output of the chip has a linear relationship with the current,

$$V_{meas,I} = V_{cc}/2 + I \times 100 \text{ mV/A}. \quad (2.1)$$

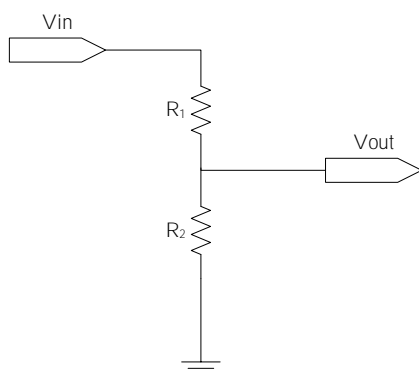


Figure 2.6 The voltage divider.



Figure 2.7 The current sensor chip.

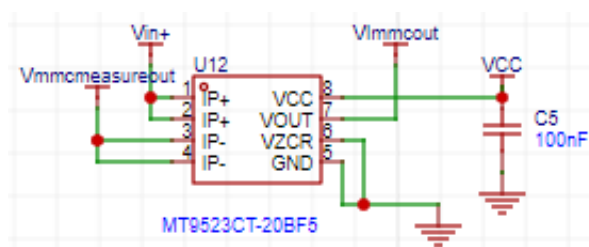


Figure 2.8 The circuit of the current sensor chip.

## 2.5 DC-DC Converter

The DC-DC converter is designed to convert the output voltage of the power router to the voltage chosen by the user. The DC-DC converter is composed of a buck-boost converter. It receive the signal from the system controller and adjust the output voltage to the desired voltage. The DC-DC converter



is designed to handle a maximum power of 200 W and a maximum voltage of 30 V. The circuit of the DC-DC converter is shown in Figure 2.9.

When the switch is on, the output voltage at the right end is maintained by the capacitor discharge. When the switch is off, the inductive current flows to the capacitor and the load, charging the capacitor. So the output voltage and the input voltage will have the following relationship:

$$-V_{out} = \frac{D}{1 - D} V_{in}, \tag{2.2}$$

where  $D$  is the duty cycle of the switch.

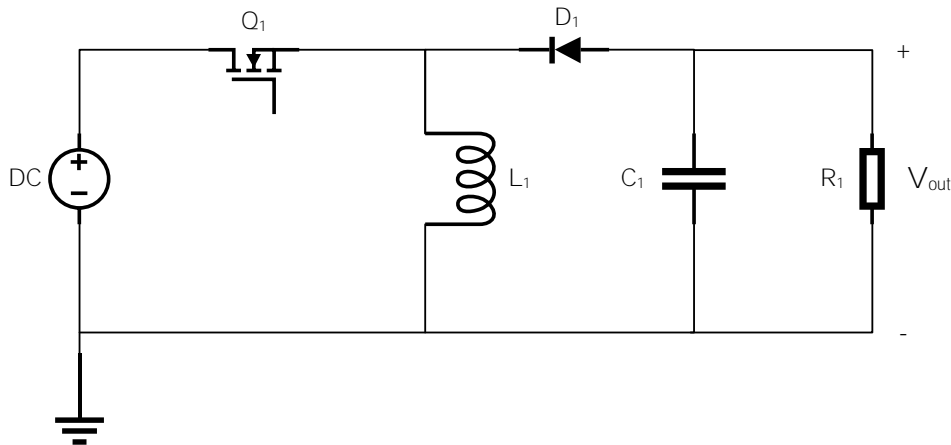


Figure 2.9 The circuit of the DC-DC converter.

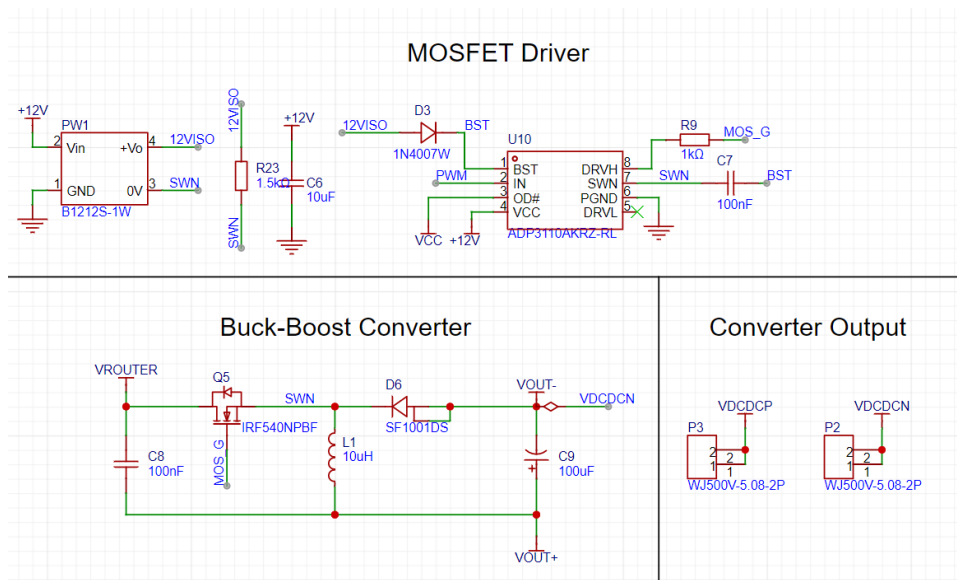


Figure 2.10 The PCB design of the DC-DC converter.

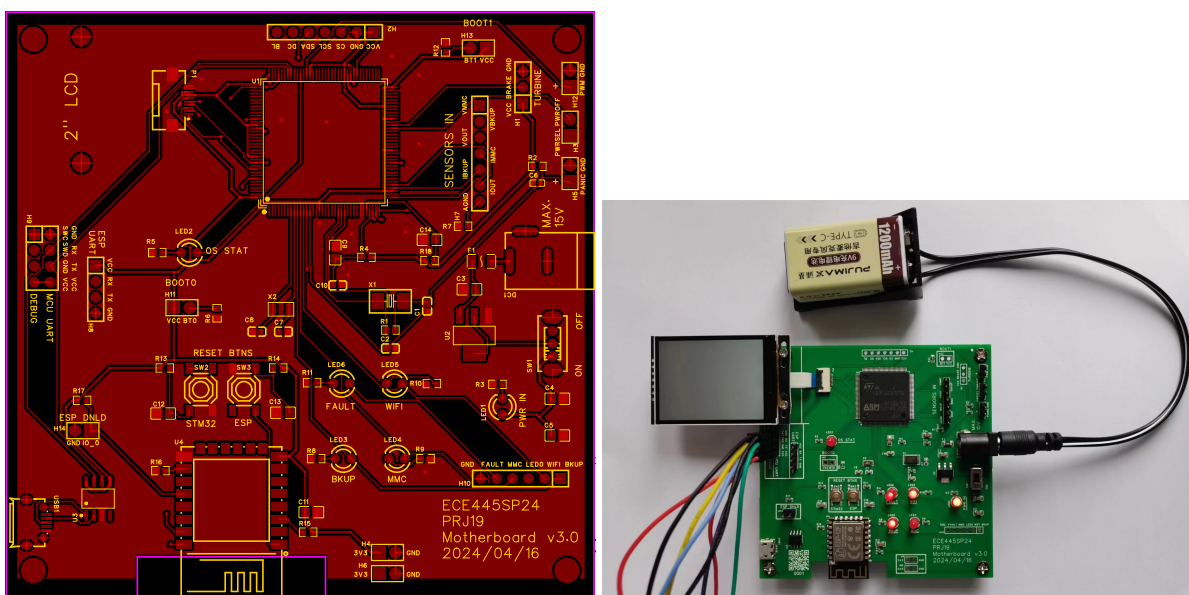
## 2.6 System Controller

The system controller is designed to provide support functions including generating PWM control signals for the DC/DC converter, processing user interface, and providing safety measures. By reading the voltage and current info from VCMU, it delivers real-time power information to the user interfaces

and controls DC/DC converter by adjusting the duty ratio of the PWM signal. Connected to a wireless communication module, it also allows the users to monitor the system status and send instructions. To maximize the efficiency of MCU computing resources, FreeRTOS [2] is introduced to provide multi-task processing.

## 2.6.1 Hardware Design

The controller is integrated into the motherboard of the system, which is composed of a minimal system of STM32F103ZET6, an ESP-12F Wi-Fi module manufactured by Ai-Thinker, LEDs indicating system status (also called the Local User Interface; see §2.8), and ports to connect the motherboard to other modules of the system. Figure 2.11 shows the PCB design of the system controller board, or the mother board. See Appendix B for detailed design schematics.



**Figure 2.11** Left: The PCB design schematic of motherboard. Right: The photo of the motherboard PCB.

## 2.6.2 Software Design

The STM32 is programmed using FreeRTOS with CMSIS-RTOS API. The FreeRTOS handles multitasking and allows different tasks to be performed in parallel. The tasks communicate with each other using message queues. Figures 2.12 and 2.13 demonstrates the architecture of the FreeRTOS-integrated system.

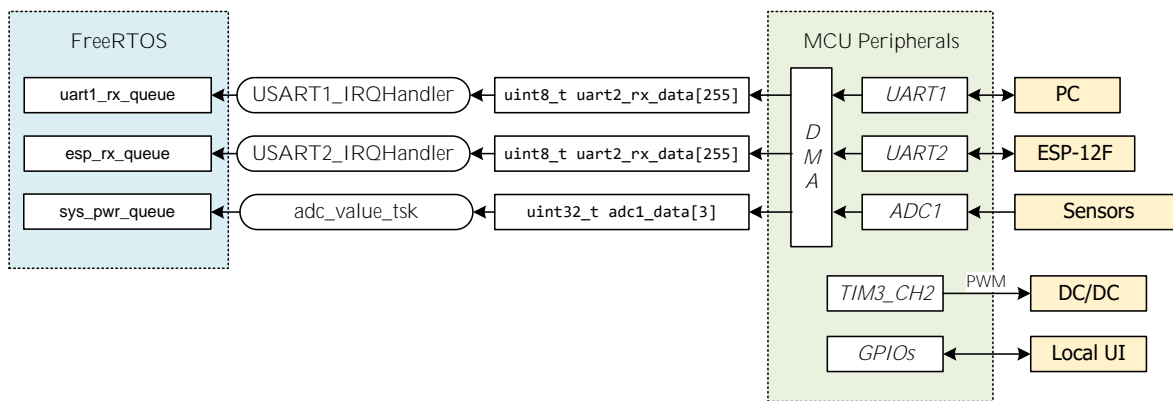


Figure 2.12 The peripherals and the IRQ functions of the MCU.

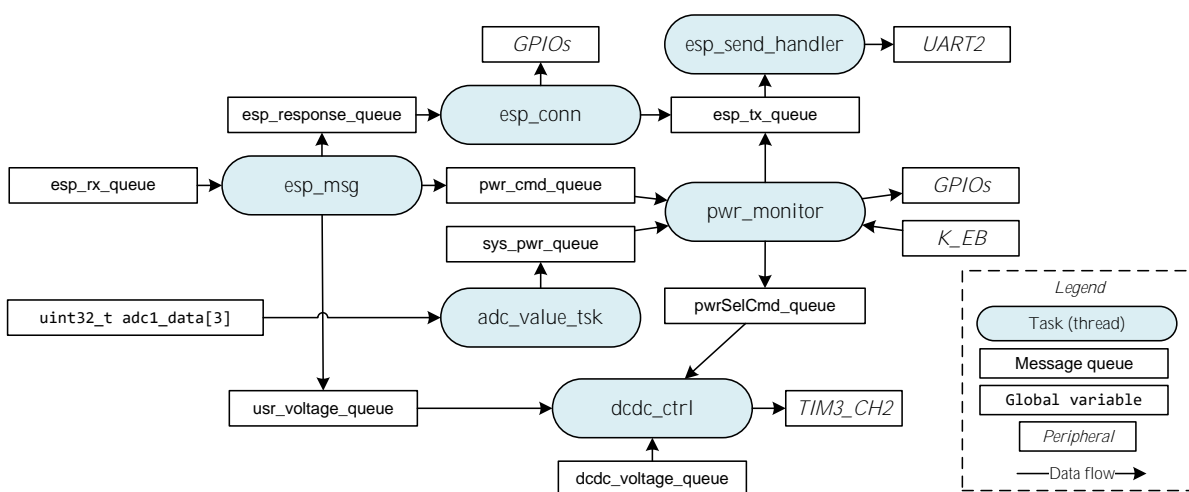


Figure 2.13 Tasks and message queues of FreeRTOS.

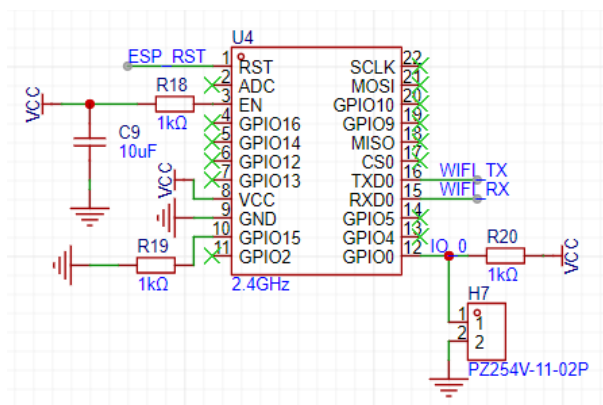
## 2.7 Wireless Communication

The wireless communication subsystem aims to transmit data between the system and the user client app, which is composed of an ESP-12F module and an MQTT server. (See ) This subsystem works according to instructions received from its serial port and can transmit data between MQTT servers and itself. Equipped with a Wi-Fi MCU designed by ESPRESSIF, the ESP-12F supports 2.4 GHz WiFi communication and can be driven using AT instruction set [3], [4]. The AT supports easy connection to WiFi hotspots and MQTT server [4], which eases the development of this project.

The MQTT server used in the project is an Aliyun Simple Application Server with Ubuntu 20.04, which provides MQTT messaging services through the open-source version of EMQX software [5]. Note that MQTT is selected to be our desired protocol because of its lightweight, efficiency, and the nature of bi-directional communications [6].

As is mentioned in §2.6, the wireless communication subsystem is the key to delivering system information to the users. It should pack real-time power delivery, source connected to the power output, MMC status and backup power status together and deliver it to the MQTT server at topic `system/status`. It is also expected to listen to topic `usr/cmd` to catch any user instructions including power on/off. Figure 2.14 shows the circuit of the wireless communication module, and Table 2.3 shows the MQTT topics and

their functions.



**Figure 2.14** The schematic of wireless communication module.

**Table 2.3** MQTT Topics and Their Functions

Topic	QoS	Function
system/pwr	0	Real-time power of sources and system output
system/warning	2	Warning information of the system.
usr/cmd	2	User instructions.
dev/log	2	System logging for development purposes.

## 2.8 Local User Interface

The Local User Interface (LUI) is a control panel connected to the system controller through wires. It contains a set of buttons and LEDs that allow users to perform basic operations on the system and be informed of its status. It also contains a panic button which could cut off all power sources and stop the turbine to avoid any disasters.

The LUI is integrated to the system motherboard, which is shown in Figure 2.11.

## 2.9 Remote User Interface

The Remote User Interface (RUI) is composed of an MQTT server on Aliyun and an Android app. The MQTT server allows message exchange between the system and the remote user client, so users can control and monitor the system without approaching the wind turbine. While the architecture of the RUI is shown in Figure 2.15, the following sections will explain the two major components of this subsystem.

### 2.9.1 MQTT Server

The MQTT server (or the broker) is deployed on the cloud, which receives and broadcasts the messages from and to clients connected. The protocol, Message Queuing Telemetry Transport (MQTT) is a lightweight publish/subscribe messaging protocol that is often used for machine-to-machine (M2M) or Internet of Things (IoT) communications. It is designed to be efficient and reliable, even in situations with limited bandwidth or unreliable network connections [6]. MQTT allows devices to exchange

messages with a broker, which then distributes those messages to any clients that subscribe the relevant topics. This makes it a popular choice for connecting and controlling remote devices, such as sensors and actuators, in various applications. Table 2.4 shows the parameters of the server we rented to deploy the MQTT broker.

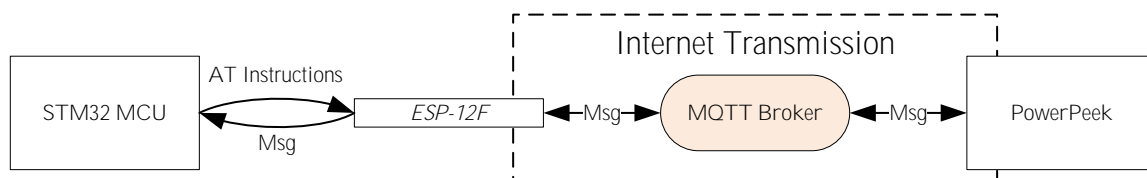
**Table 2.4** Parameters of the MQTT Server

Item	Parameter
Internet Bandwidth	3 Mbps
Memory	2 GB
OS	Ubuntu 20.04
MQTT Message Platform	EMQX
Supported Protocol Version	MQTT 5.0

## 2.9.2 Mobile App: PowerPeek

“PowerPeek” is designed to allow users to interact with the system on their mobile phones without approaching the wind turbine. As the wind turbine is placed outdoors, it is often difficult to approach especially under bad weather. Therefore, designing a mobile app is a more convenient way to demonstrate the system information to the users while keeping them from being exposed to the danger of bad weather and the risk of being hurt by the blades.

This app will be implemented using MIT App Inventor [7] with MQTT extension from Ullis [8]. The layout of PowerPeek should look like Figure 2.16.



**Figure 2.15** Architecture design of PowerPeek.

Server Addr.:

Client ID:

Username:

Password:

Output Power: 114.51 W  
 Output Voltage: 12.11 V  
 Output Current: 9.45 A  
 Output Source: Turb. + Bkup  
 Generator Voltage: 10.23 V

©2024 PowerPeek

**Figure 2.16** UI design of PowerPeek.

## 3 Tolerance Analysis

### 3.1 Modular Multilevel Converter

The Modular Multilevel Converter (MMC) is the most important design of this project, as it transforms wind power into electricity. First raised by R. Marquart in 2011, this technology was originally designed for High Voltage Direct Current Transmission [9]. Though MMC is designed for HVDC, the team still attaches great importance to its potential for convenience in maintenance due to its nature to be modular. The functionality and efficiency of the MMC are the most important factors in the success of this project. In this chapter, the circuit topology of the MMC will be discussed and the nearest level control (NLC) algorithm will be introduced. The simulation results are also demonstrated to show the validity of the select control algorithm.

#### 3.1.1 MMC Topology

According to [9], MMC is composed of a cascading connection of a number of converter submodules to obtain voltage waveforms having high quality, which is shown in Figure 3.1. In this project, we put six submodules on each phase, three on each branch. Each branch is connected to one phase of the output of the wind turbine.

A submodule of MMC is composed of two semiconductor switching devices ( $Q_1$  and  $Q_2$ ) and a capacitor. The status of  $Q_1$  and  $Q_2$  controls if the capacitor is connected to the converter in series or bypassed. Figure 3.2 illustrates a typical MMC submodule.

Referring to [10], [11], a single submodule has three states: the ON state or *inserted* state, the OFF state or *bypassed* state, and the *blocked* state, as are demonstrated in Figure 3.3. The submodule changes its working state with  $VT_1$ ,  $VT_2$ , and K. The relationship is listed in Table 3.1.

**The ON State** In this state,  $VT_1$  is set to high and  $VT_2$  to low, which turns the upper IGBT on and lower IGBT off, allowing current to flow through the capacitor. The capacitor is charged or discharged with the change of the terminal voltage of the submodule, i.e.  $V_S = V_C$ .

**The OFF State** In this state,  $VT_1$  is set to low and  $VT_2$  to high. The capacitor is bypassed by this IGBT configuration, and the voltage across the submodule becomes  $V_S = 0$ .

**The blocked State** This is a special state where the switch is closed, which allows the submodule to be fully disconnected from the converter. This allows the converter to disable certain submodules when they are not operable, which adds to the robustness of the system.

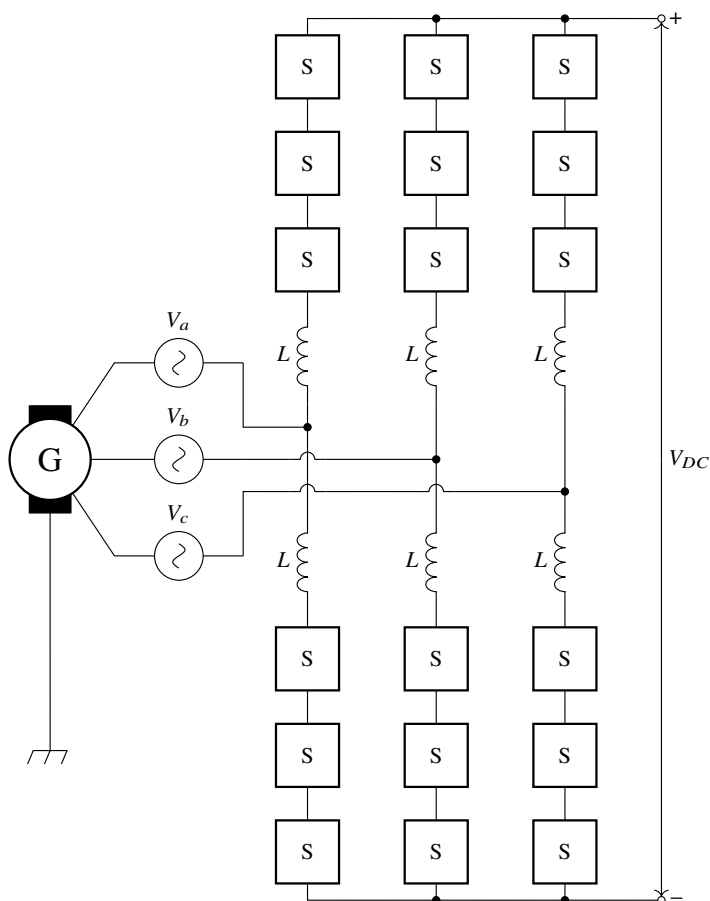


Figure 3.1 The topology of a typical MMC.

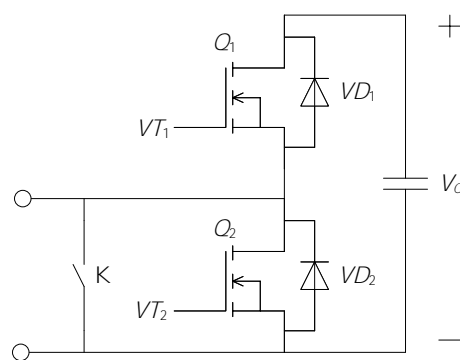


Figure 3.2 The MMC submodule.

Table 3.1 Working States of A Submodule with Different VT<sub>1</sub> and VT<sub>2</sub>

State	VT <sub>1</sub>	VT <sub>2</sub>	K	V <sub>out</sub>
*	0	0	0	*
OFF	0	1	0	0
ON	1	0	0	V <sub>C</sub>
*	1	1	0	0
blocked	*	*	1	V <sub>C</sub>

### 3.1.2 Nearest Level Control

#### Principles

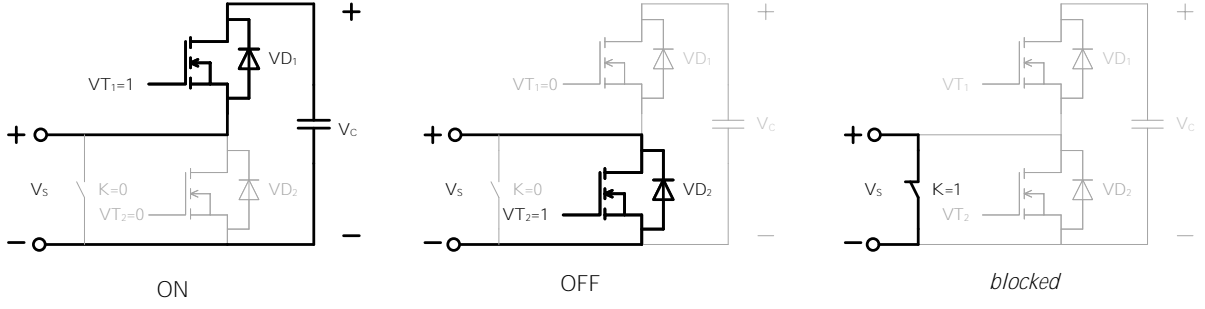
Figure 3.4 shows a single-phase MMC topology. By KVL, the phase voltage  $u_j$  should satisfy

$$u_j = \frac{U_{dc}}{2} - u_{pj} - L \frac{di_{pj}}{dt} - Ri_{pj} \tag{3.1}$$

$$u_j = -\frac{U_{dc}}{2} + u_{nj} - L \frac{di_{nj}}{dt} - Ri_{nj} \tag{3.2}$$

solving which will give

$$u_j = \frac{u_{nj} - u_{pj}}{2} - \left( \frac{L}{2} \frac{di_j}{dt} + \frac{Ri_j}{2} \right). \tag{3.3}$$



**Figure 3.3** Different working states of a single MMC submodule.

Eq. (3.3) illustrates the linear relationship between  $u_j$  and the difference between the two bridges,  $u_{nj} - u_{pj}$ . As the line inductance  $L$  is fairly small, the effect of induced current can be ignored. Hence,  $u_{nj} - u_{pj}$  should be controlled respecting to the phase voltage  $u_j$ .

Assume we have some ways to keep the voltage across the capacitor,  $U_{SM}$ , constant. At some time, the number of submodules inserted to the circuit on the positive bridge is  $N_{pj}$ , and the negative bridge  $N_{nj}$ . The output voltage  $U_{dc}$  can be written as

$$U_{SM} [N_{pj} + (-N_{nj})] = U_{dc}. \quad (3.4)$$

The total number of submodules inserted should be constant,

$$N = N_{pj} + N_{nj}. \quad (3.5)$$

Solving Eq. (3.3) (3.4) and (3.5) yields

$$N_{pj} = \frac{N}{2} - \text{round} \left( \frac{u_j}{U_{SM}} \right) \quad (3.6)$$

$$N_{nj} = \frac{N}{2} + \text{round} \left( \frac{u_j}{U_{SM}} \right). \quad (3.7)$$

Hence, the goals of the control algorithm are

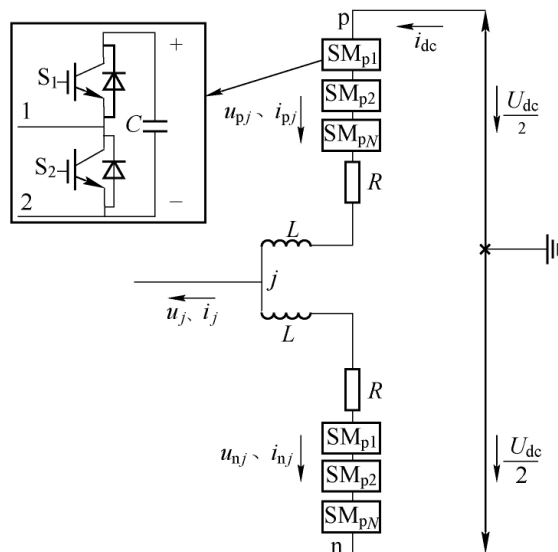
1. Keep voltage across capacitors  $U_{SM}$  constant.
2. Keep number of submodules inserted on the bridges satisfying Eq. (3.6) and (3.7).

### Control Algorithm

Based on the principles discussed in §3.1.2, we raised an algorithm that maintains  $U_{SM}$ . Noted that the actual voltage across the capacitors,  $u_{SM}$ , shall not be constant as the circuit involves AC components. Hence when choosing the specific submodules to insert, the circuit should try to charge and discharge the capacitors accordingly. Note that when the bridge current  $i_j > 0$ , the capacitors that in the ON state will be charged, and vice versa. So the priority of SM that should be inserted is of ascend order according to the Voltage  $U_{SM}$  of each SM when  $i_j > 0$ . And of descend order when  $i_j < 0$ .

The number of submodules inserted on the positive and negative bridges should be calculated ac-





**Figure 3.4** The single-phase MMC topology [12, Fig. 1].

according to Eq. (3.6) and (3.7), which is already determined. The control algorithm is demonstrated in Algorithm 1.

---

**Algorithm 1:** Nearest Level Control Algorithm

---

**Input:** The phase voltage  $u_j$ , the number of submodules  $N$ , the voltage across each submodule  $U_{SM}$ , the bridge current  $i_j$ .

**Output:** The PWM signal for the positive and negative bridges  $PWM_p$ ,  $PWM_n$ .

**if**  $i_j > 0$  **then**

$Id_p$  = Index of upper submodules in ascending order according to  $U_{SM}$ ;

**else**

$Id_n$  = Index of lower submodules in descending order according to  $U_{SM}$ ;

$N_{pj} = \frac{N}{2} - \text{round}\left(\frac{u_j}{U_{SM}}\right)$ ;

$N_{nj} = \frac{N}{2} + \text{round}\left(\frac{u_j}{U_{SM}}\right)$ ;

**for**  $i = 1$  **to**  $N$  **do**

**if**  $i \leq N_{pj}$  **then**

$PWM_p(Id_p(i)) = 1$ ;

**else**

$PWM_p(Id_p(i)) = 0$

**if**  $i \leq N_{nj}$  **then**

$PWM_n(Id_n(i)) = 1$ ;

**else**

$PWM_n(Id_n(i)) = 0$ ;

**return**  $PWM_p$ ,  $PWM_n$ ;

---

### 3.1.3 Simulation Results

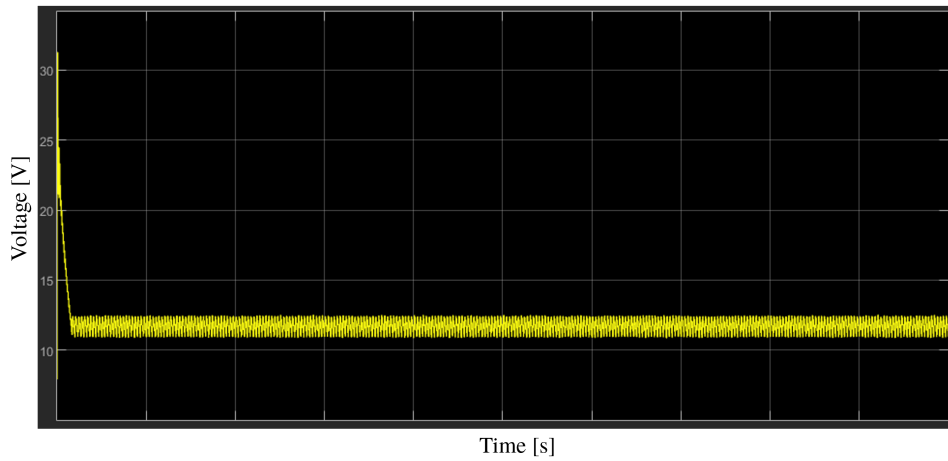
The team built an MMC AC-DC converter model using Simulink, and took the following parameters:

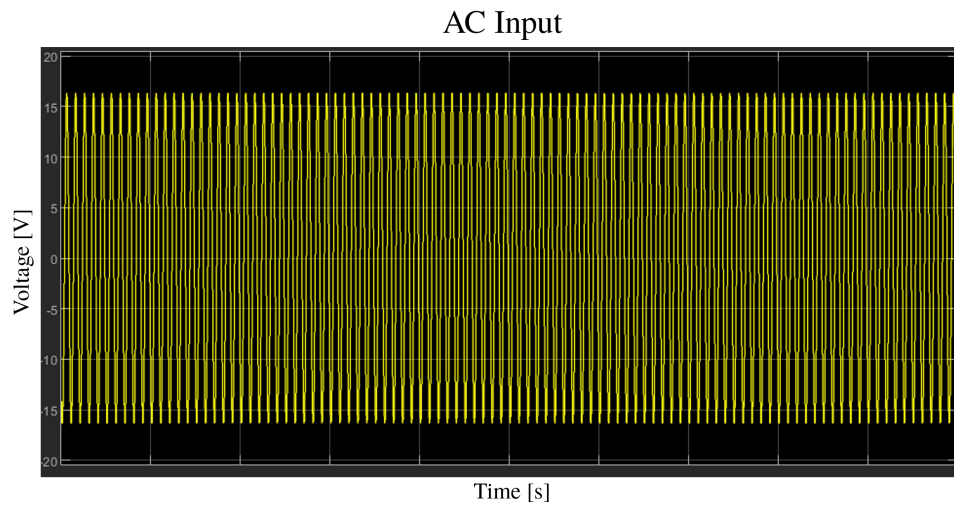
**Table 3.2** Parameters of the Model in Simulink

Item	Parameter
AC Input	20 V, 10 Hz
Desired SM Capacitor Voltage	4 V
Desired Output Voltage	12 V

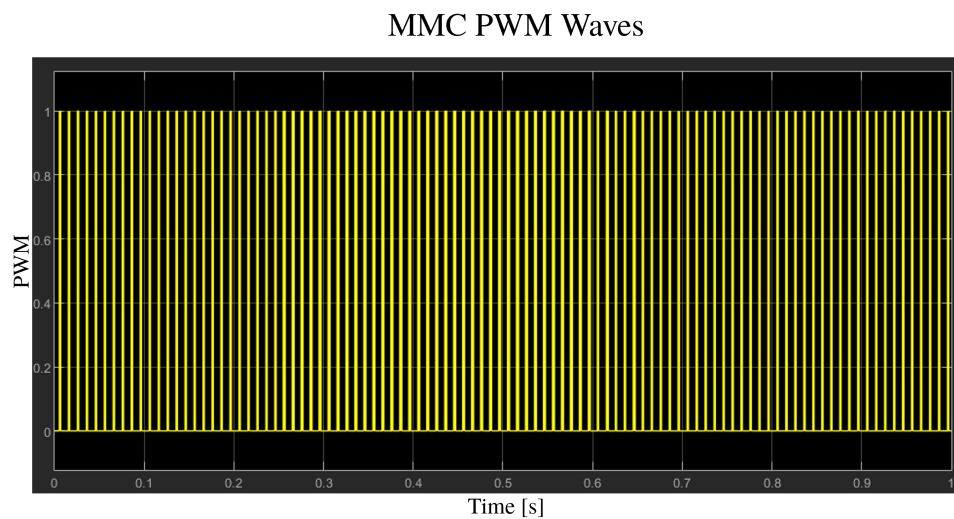
As is shown in Figure 3.5 our control algorithm could produce correct output voltage with  $\pm 1.1$  V ripple, which satisfies our design specification. The voltage across SM capacitors,  $U_{SM}$ , remains almost constant at 3.9 V with a ripple  $\pm 1$  V. Those results indicate that our proposed solution for NLC could work properly. The AC input voltage and the PWM waves used for controlling are illustrated in Figure 3.6 and 3.7 respectively.

MMC Output Waveform

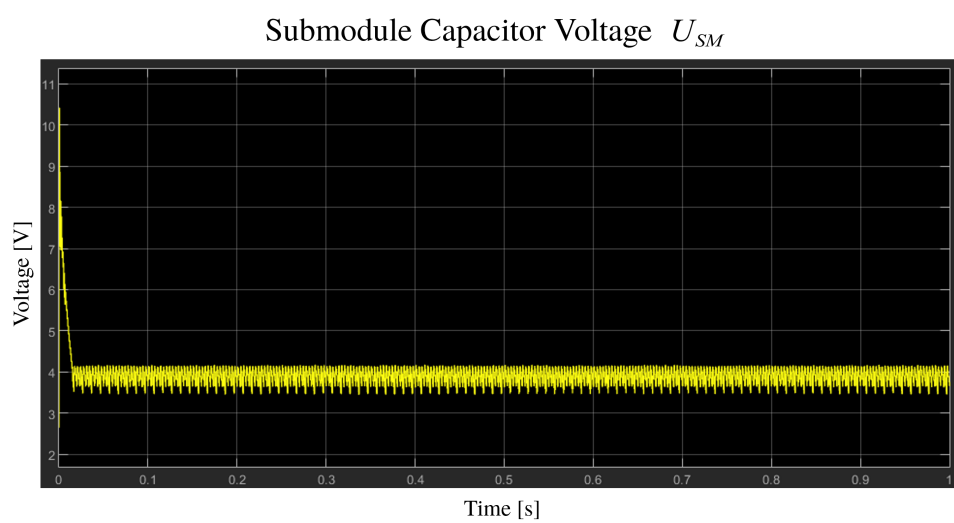
**Figure 3.5** The MMC output voltage.



**Figure 3.6** The MMC input voltage from wind turbine.



**Figure 3.7** The MMC PWM.



**Figure 3.8** The MMC capacitor voltage.

## 4 Cost and Schedule

### 4.1 Cost Analysis

**Labor Cost** According to [13], the estimated labor cost of each partner of the team can be calculated by

$$E = 2.5S \cdot T \quad (4.1)$$

where  $S$  is the ideal salary per hour and  $T$  is the actual hours spent on the project. According to the TA salary at ZJUI in 2022, it is possible to assume  $S = \text{¥}50$  yuan/h. The project lasts 11 weeks, and each person has to work 4 hours a day, 6 days a week, which is  $T = 4 \times 6 \times 11$  hours throughout the semester. This gives

$$E = 2.5 \times 50 \times 264 = \text{¥}33\,000.00 \text{ yuan/person.} \quad (4.2)$$

**Material Cost** As the PCB design has not been finalized, the following cost analysis table (Table 4.1) should only be taken as an estimation. The total financial cost of this project should be  $33000 \times 3 + 1713.84 = \text{¥}100\,713.84$ .

**Table 4.1** Estimated Material Cost Analysis Table

Item	Price per Unit (CNY)	Amount	Subtotal (CNY)
Wind Turbine (24V200W)	670	1	670
ATK STM32F103 Core Board Dev. Kit	297.16	1	297.16
ATK ESP8266D WiFi MCU Module	22.82	1	22.82
Support Rod of Wind Turbine	100	1	100
Panic Button (Taibang)	4	1	4
Panic Button (CHNT)	6.8	2	6.26
ACS712 Current Measuring Module	8.36	1	13.6
DSP28377 Dev. Kit (from lab)	0	1	0
Wires	3.27	4	13.08
PCB Manufacturing and Components	200	3	600
<b>Total</b>			<b>¥1 726.89</b>

**Mass Production** For mass production, the MCU minimum system board is no longer needed; instead, the STM32F103 MCU can be directly integrated into the main PCB. This also applies to ESP8266 WiFi MCU and DSP28377 MCU. The support rod of the turbine could be cheaper, as mass production of such metal components can be done using automatic machines which is cheaper. Assume 1000 sets can be sold throughout the lifecycle of the product, the labor cost in development distributed to each set will be ¥100.71. The following Table 4.2 should apply.

**Table 4.2** Estimated Mass-Production Cost Analysis Table

Item	Price per Unit (CNY)	Amount	Subtotal (CNY)
Wind Turbine (24V200W)	670	1	670
STM32F103 MCU	15	1	15
ESP8266 WiFi MCU	4.8	1	4.8
Support Rod of Wind Turbine	80	1	80
Panic Button (Taibang)	4	3	12
DSP28377 MCU	150	1	150
PCB Manufacturing and Components	200	1	200
Human Resource in Product Development			100.72
		<b>Total</b>	<b>¥1 232.52</b>

## 4.2 Schedule

The design of the project started after the team returned to the campus on Feb. 26, and the Final Demo period starts on May 6. Tentatively, the team plans to divide the project into milestones for each week, which is shown in Table 4.3.

**Table 4.3** The Tentative Schedule

Date	External Control	MMC
February 26 – March 17	Project proposal, request for approval and initial thoughts.	
March 18 – March 24	System overall design.	Simulation and verification of control algorithm.
March 25 – March 31	(1) PCB design of system controller and sensors; (2) Wireless communication program in CMSIS-FreeRTOS.	(1) Simulation and verification of control algorithm; (2) PCB design.
April 1 – April 7	(1) System controller and sensor testing; (2) Hardware design revision; (3) Power monitoring program in CMSIS-FreeRTOS.	PCB design.
April 8 – April 14	(1) Simulation and hardware design of dual-input DC-DC converter; (2) Design of Android App “Power-Peek”.	(1) MMC Hardware testing; (2) MMC control algorithm programming.
April 15 – April 21	(1) Testing dual-input DC-DC converter; (2) Programming its control algorithm.	MMC control algorithm programming and testing.
April 22 – April 29	System debug.	
April 30 – May 5	(1) System debug; (2) Preparation for Demo.	

## 5 Ethics and Safety

### 5.1 Safety

Safety is always the top priority when it comes to the design of physical systems. As this project involves electrical and mechanical parts, the safety of the surroundings of the system is important. To ensure safety within the development process and the throughout lifecycle of the product, it is vital to keep the following requirements satisfied:

1. Keep clear of the wind turbine whenever it is unlocked and can rotate freely to avoid any people being hurt by the rotating turbine. Safety distance of the turbine is set to 2 m.
2. Keep the circuit well enclosed within water-resistant containers whenever the generator system is applied in any outdoor environment.
3. All power transmission lines within the generator system should be properly fused to avoid fire triggered by overheat.
4. All subsystems related to rechargeable battery use should comply with “Safe Practice for Lead Acid and Lithium Batteries” [14], and the customized battery charger should comply with “Household and similar electrical appliances – Safety – Particular requirements for battery chargers” (GB 4706.18-2014) [15].
5. All wires and devices that have current and/or voltage exceeding the limit set by China National Standard “Extra-low voltage (ELV) – Limit values” (GB/T 3805-2008) [16] should be kept unreachable by the surroundings unless they are unconnected to power.
6. The generator system should comply with the following China National Standards:
  - (a) “Household And Similar Electrical Appliances – Safety – Part 1: General Requirements” (GB 4706-2005) [17].
  - (b) “Generator of Small Wind Turbines – Part 1: Technical Condition” (GB/T 10760.1-2017) [18].

### 5.2 Ethics

Ethical considerations are vital to a successful product design. The development of the project should strictly follow “IEEE Code of Ethics” [19], and the team will devote themselves to upholding integrity, responsibility, and professionalism. The product should not convey discrimination towards any person or group, and be kept from injuring any surroundings.

In detail, the following requirements should be remembered during and after the senior design project:

1. The “IEEE Code of Ethics” [19] especially mentions that the engineers should “hold paramount, the safety, health, and welfare of the public,” which is vital to the success of this project. The safety and health of any person or animal involved in this project should be ensured. For this project, the turbine should be kept from injuring any animals like birds that fly by, and any people around.

Careful check is necessary before unlocking the turbine and starting the system to ensure people around are aware of the rotating paddles and animals are away from the testing site.

2. Academic integrity is important to this project. During the development, any work done by another person or team that is applied to this project should be cited properly in any documents written for this course. The team should make sure the project submitted is their original work, and to “credit properly the contributions of others” [19] when presenting their work in either written form or oral form.
3. Teamwork matters. The team agrees that they will “seek, accept, and offer honest criticism of technical work” [19] to each other. Everyone in the team should be “treated fairly and with respect” [19]. The team should not discriminate against anyone either in or out of the team.
4. Compliance. The development process and the product itself should comply with relevant laws and national standards mentioned in §5.1. The purchase of any materials needed for the project should be properly recorded and archived for further investigation of expenditures.

## Appendix A Requirements and Verification Tables

**Table A.1** Requirements and Verification Table of the Wind Turbine

ID	Requirement	Verification
1	The wind turbine will output 24 V.	Take the turbine outside and measure the output voltage of the turbine and the current wind speed when there is wind.

**Table A.2** Requirements and Verification Table of the MMC

ID	Requirement	Verification
1	The MMC could generate DC 12 V $\pm$ 10% output.	Observe the output waveform using oscilloscope.
2	The MMC could stabilize the DC output voltage within 1 s after the load changes. The overshoot voltage should not exceed 15 V.	

**Table A.3** Requirements and Verification Table of the Power Router

ID	Requirement	Verification
1	The logic control circuit receive PWROFF and PWRSEL and give EN_BR1 and EN_BR2 to relays.	Give high or low voltage(use 5 V and 0 V here.) to PWRSEL and PWROFF. Check whether the two output follow the truth table or not.
2	The two relays receive signals from the logic control circuit and choose the break-make of the MMC and back-up battery.	Give the signal to each relay and check the connection of the two circuit.
3	The power router receive the signals from the system control and choose which should be connect to the load.	Send signals to the two input of power router, check if it can change which power supply to the load(Here we can use an oscilloscope.) in 0.1 ms.



**Table A.4** Requirements and Verification Table of the Voltage and Current Measuring Unit

ID	Requirement	Verification
1	The voltage divider convert 30 V to 3 V.	Give 30 V input and check if it output 3 V.
2	The current transformer can convert the current to voltage.	Place the current transformer in a circuit with a known current and check if the output voltage is $V_{out} = V_{cc}/2 + 100 \text{ mV/A} \times I_{in}$ .
3	The Current measuring unit can measure the current of maximum 20 A.	Place the current transformer into the circuit, and change the value of resistor to vary the current from the 0 A to 20 A, check if the output gives the right voltage.

**Table A.5** Requirements and Verification Table of the System Controller and Local User Interface

ID	Requirement	Verification
1	The system reads voltage and current info from VCMU at a frequency of 1 kHz.	Add console output instruction to data read functions with timestamps. Give simulated voltage and current to the VCMU, and check the timestamps of the console output.
2	The system calculates real-time power with an error of less than 10%.	Print calculated power to the PC console and see if the difference between the calculated and the simulated power is less than 10% of the simulated power.
3	The controller shall send a power-off signal to the router if the power delivered exceeds the designed maximum power toleration for more than 1 s.	Send a timestamp to the PC console when the power-off signal is sent to the router. Apply a test power that exceeds 150 W, and record the exact time when applied. Check the difference between the time applying the simulated power and sending the power-off signal to see if it exceeds 1 s.
4	The controller shall send a signal to the router to compensate for power from the backup source if the MMC fails to deliver sufficient power.	a) Simulate MMC failure scenarios by disconnecting the turbine and verify the router receives the signal to switch to backup power. b) Simulate insufficient MMC power scenarios and verify if the router receives the signal to switch to backup power.
5	The controller should be able to drive the Wireless Communication subsystem to send and receive JSON-formatted message.	Turn on the mobile hotspot and run an MQTT server. Write test programs to subscribe to a topic and publish a JSON-formatted message. Check if the MQTT client on the PC can receive the message sent by the system, and if the system can read the message sent by the PC MQTT client. Verify if the system can correctly extract items from the JSON message.

**Table A.5** Requirements and Verification Table of the System Controller and Local User Interface

ID	Requirement	Verification
6	The controller shall control LEDs on the control panel to indicate system status and provide visual warnings.	Inspect LED behavior when powering on the system, changing the output power source, connecting/disconnecting wireless network and simulating overload scenarios to ensure they accurately represent system status and provide visual warnings.
7	The system should report the low battery voltage of the 5 V/3.3 V supply module.	Connect a dying battery to the 5 V/3.3 V power supply and check if the low battery voltage message is received by the user client.

**Table A.6** Requirements and Verification Table of Wireless Communication

ID	Requirement	Verification
1	The module should connect the MQTT server successfully.	Start the MQTT server and send AT instructions from the system controller. Check if the EMQX Dashboard shows an active connection from ATK-ESP8266D.
2	The module sends JSON-formatted messages based on instructions from the system controller.	Program the system controller and let the module publish a test message to a test topic. Check if another MQTT client on PC can receive the message.
3	The module receives JSON-formatted messages and transmits them to the system controller.	Program the system controller and let the controller send a console output message when receiving messages from ATK-8266D. Check if such output appear when sending a message to the ATK-ESP8266D.
4	The module automatically reconnects the MQTT server when the connection fails.	After a stable connection to the MQTT server is established, turn off the MQTT service on the server and restart it 2 s later. Check if the connection is recovered within 5 s.
5	The module automatically reconnects the WiFi Access Point when the connection fails.	After a stable connection to the Access Point is established, turn off the Access Point and restart it 1 s later. Check if the connection is recovered.

**Table A.7** Requirements and Verification Table of the Remote User Interface

ID	Requirement	Verification
1	The app can connect to the MQTT broker.	Enter broker IP and credentials and check the dashboard of the broker server if the client is connected.

**Table A.7** Requirements and Verification Table of the Remote User Interface

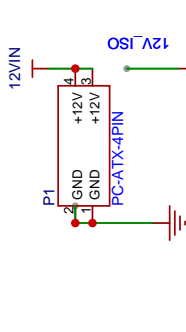
ID	Requirement	Verification
2	The app can display real-time system information.	Run the system and connect output to the Digital Multi-meter (DMM). Check if (1) the app shows real-time power information, and (2) the displayed information matches the DMM.
3	The app can remotely start the system by tapping the “Power On”/“Power Off” buttons.	Tap the two buttons and check if the system output produces correct result.

## **Appendix B Schematics**

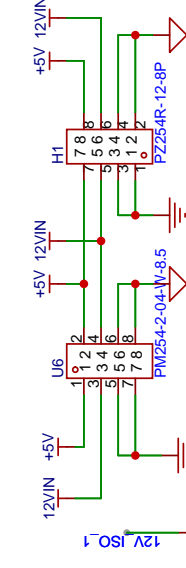
In the following pages, the current schematics of the system are demonstrated.



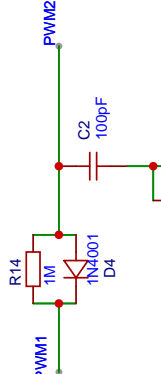
### 12V ATX Power In



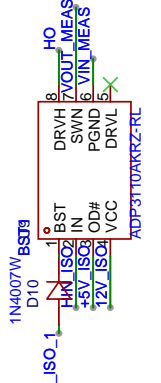
### IC Power I/O



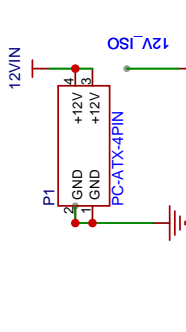
### Dead Zone Generation



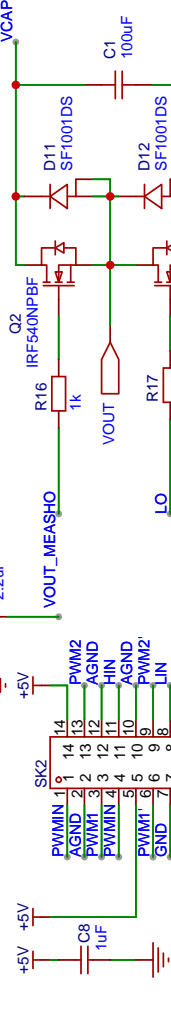
### MOSFET Driver



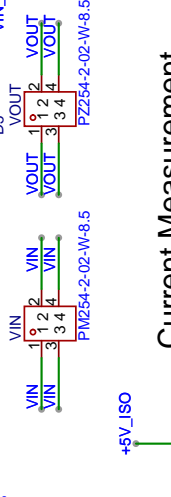
### PWM XOR



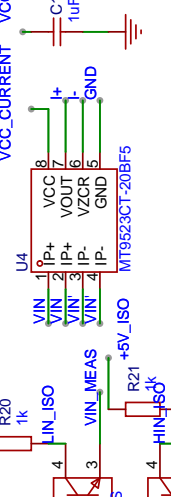
### MMC Submodule



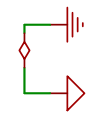
### MMC Power I/O



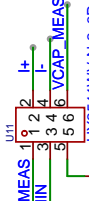
### Current Measurement



### Grounds



### Signal I/O

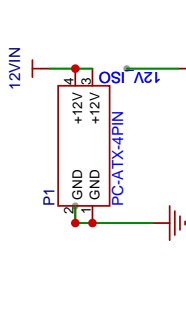


MMC Main Unit		Date Updated	
Main		2024-04-24	
Sheet Name		Date Created	
Project #		Revision	
Sponsor		V3.5	
Smart Power Routing with MPPT-Based Wind Turbine			
Size		Sheet 1 of 1	
A4		ZJUJ Senior Design (Spring 2024)	

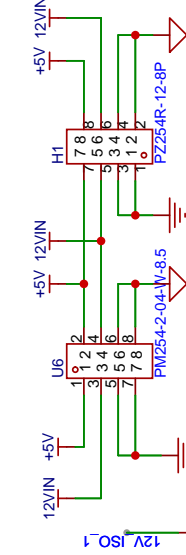


**ZJU-UIUC INSTITUTE**  
 Zhejiang University of Illinois at Urbana-Champaign Institute  
 浙江大学伊利诺伊大学厄巴纳香槟校区联合学院

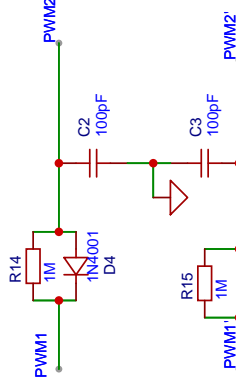
### 12V ATX Power In



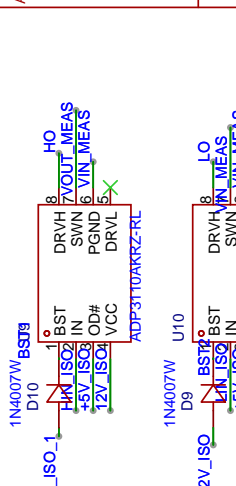
### IC Power I/O



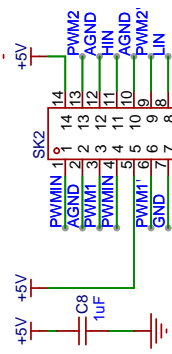
### Dead Zone Generation



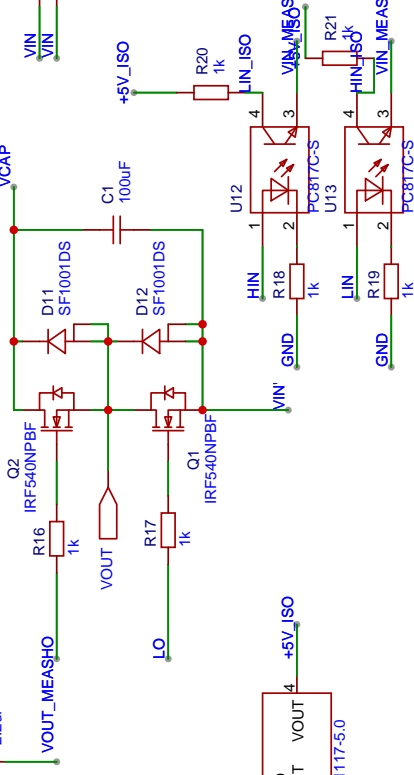
### MOSFET Driver



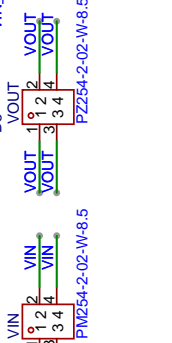
### PWM XOR



### MMC Submodule



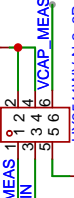
### MMC Power I/O




### Grounds

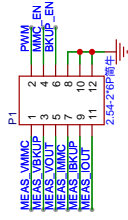


### Signal I/O

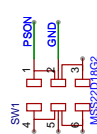


MMC Sub Unit		Date Updated	
Main		2024-04-24	
Project #		2024-04-24	
Sponsor		Revision	
19		V3.5	
Lin Qiu		Smart Power Routing with MPPT-Based Wind Turbine	
Sheet 1 of 1		Size A4	
ZJU-UIUC INSTITUTE		ZJU Senior Design (Spring 2024)	
 Zhejiang University of Illinois at Urbana-Champaign Institute 浙江大学伊利诺伊大学厄巴纳香槟校区联合学院			

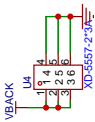
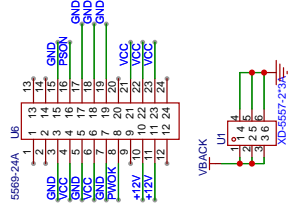
### From control



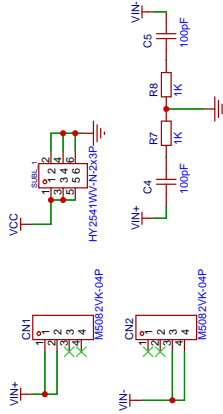
### Backup Power Manual Startup



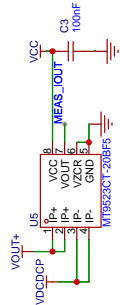
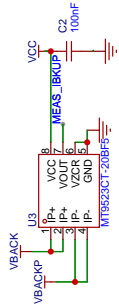
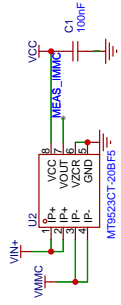
### From backup



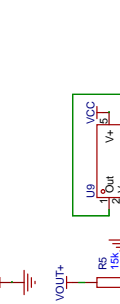
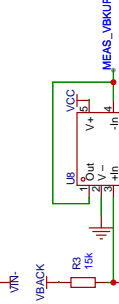
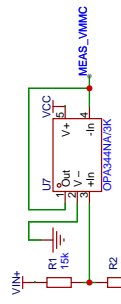
### From MMC



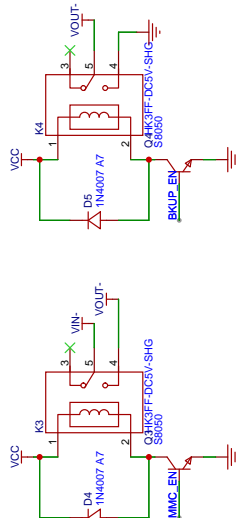
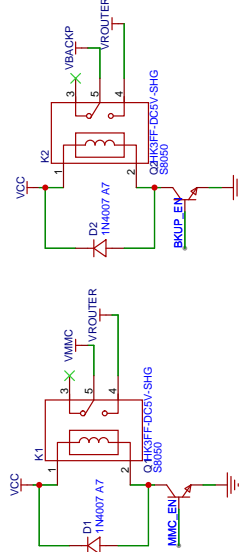
### Current Measurement



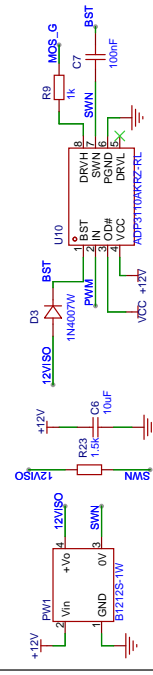
### Voltage Measurement (with Voltage Followers)



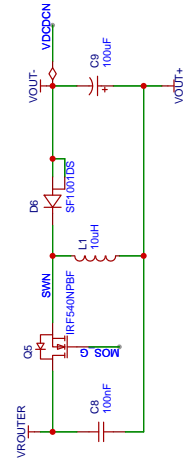
### Router



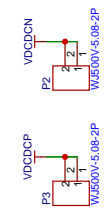
### MOSFET Driver



### Buck-Boost Converter



### Converter Output



### Power Router with DC/DC Converter

Schematic Name	Main	Date Updated	2024-04-26
Sheet Name	Power Router with DC/DC Converter	Date Created	2024-04-25
Sheet #	19	Revision	V2
Sponsor	Lin Qiu		



## References

- [1] National Energy Administration. “国家能源局发布 2023 年全国电力工业统计数据 [NEA releases national power industry statistics for 2023].” (Jan. 26, 2024), [Online]. Available: [https://www.nea.gov.cn/2024-01/26/c\\_1310762246.htm](https://www.nea.gov.cn/2024-01/26/c_1310762246.htm) (visited on 01/27/2024).
- [2] ARM Ltd. “Introduction,” CMSIS-FreeRTOS Version 10.5.1. (Dec. 1, 2022), [Online]. Available: <https://arm-software.github.io/CMSIS-FreeRTOS/latest/> (visited on 03/22/2024).
- [3] Espressif, *ESP8266EX 技术规格书 [ESP8266EX Technical specifications]*, ESP8266EX Datasheet, Jun. 2023. [Online]. Available: [https://www.espressif.com.cn/sites/default/files/documentation/0a-esp8266ex\\_datasheet\\_cn.pdf](https://www.espressif.com.cn/sites/default/files/documentation/0a-esp8266ex_datasheet_cn.pdf) (visited on 03/18/2024).
- [4] Espressif. “AT 命令集 [AT Instructions set],” ESP-AT 用户指南 [ESP-AT User Manual]. (2020), [Online]. Available: [https://espressif-docs.readthedocs-hosted.com/projects/esp-at/zh-cn/release-v2.2.0.0\\_esp8266/AT\\_Command\\_Set/index.html](https://espressif-docs.readthedocs-hosted.com/projects/esp-at/zh-cn/release-v2.2.0.0_esp8266/AT_Command_Set/index.html) (visited on 03/18/2024).
- [5] EMQ Technologies Inc. “EMQX: The World’s #1 Open Source Distributed MQTT Broker,” EMQX. (n.d.), [Online]. Available: <https://www.emqx.io/> (visited on 03/19/2024).
- [6] “MQTT: The Standard for IoT Messaging,” MQTT.org. (n.d.), [Online]. Available: <https://mqtt.org/> (visited on 03/19/2024).
- [7] Massachusetts Institute of Technology. “About Us.” (n.d.), [Online]. Available: <https://appinventor.mit.edu/about-us> (visited on 03/11/2024).
- [8] “AI2 MQTT extension: Sensor readings back and forth,” Ullis Roboter Seite. (Nov. 17, 2020), [Online]. Available: <https://ullisroboterseite.de/android-AI2-PahoMQTT-en.html> (visited on 03/27/2024).
- [9] M. N. Raju, J. Sreedevi, R. P Mandi, and K. Meera, “Modular multilevel converters technology: A comprehensive study on its topologies, modelling, control and applications,” *IET Power Electronics*, vol. 12, no. 2, pp. 149–169, 2019. [Online]. Available: <https://onlinelibrary.wiley.com/doi/abs/10.1049/iet-pel.2018.5734>.
- [10] E. N. Abildgaard and M. Molinas, “Modelling and control of the modular multilevel converter (MMC),” *Energy Procedia*, Technoport 2012 - Sharing Possibilities and 2nd Renewable Energy Research Conference (RERC2012), vol. 20, pp. 227–236, Jan. 1, 2012, ISSN: 1876-6102. DOI: 10.1016/j.egypro.2012.03.023.
- [11] Shuai Liang, “应用于退役动力电池储能电站的 MMC 控制策略研究 [Research on MMC control strategy applied to decommissioned power battery energy storage plant],” M.Eng. Thesis, Lanzhou University of Technology, Lanzhou, 2023. DOI: 10.27206/d.cnki.ggsgu.2023.000267.
- [12] L. Zheng, J. Xu, and S. Ma, “一种改进的 MMC 电容电压均衡控制方法 [An improved control method for MMC capacitor voltage balancing],” *Journal of Beijing Jiaotong University*, vol. 41, no. 2, pp. 112–116+122, 2017. [Online]. Available: [https://kns.cnki.net/kcms2/article/abstract?v=xz5HP63VF6ckRnnHNkPy7OwF8DkOIVnqsyV2gcGAz2a062H9aKKrtymeeftM91tU7T\\_npgSaHHtlvGF8VL645hWAA6SdQcSDmUA1vcdNhqL8qHoe8VoEXVRQXWS\\_ObcTdfbuweEKcT6XwtFEHqgWw==&uniplatform=NZKPT&language=CHS](https://kns.cnki.net/kcms2/article/abstract?v=xz5HP63VF6ckRnnHNkPy7OwF8DkOIVnqsyV2gcGAz2a062H9aKKrtymeeftM91tU7T_npgSaHHtlvGF8VL645hWAA6SdQcSDmUA1vcdNhqL8qHoe8VoEXVRQXWS_ObcTdfbuweEKcT6XwtFEHqgWw==&uniplatform=NZKPT&language=CHS).

- [13] Staffs of ECE 445 and ECE Editorial Services, *Preparing your final report for ECE 445, senior design*, University of Illinois at Urbana-Champaign, Sep. 2019. [Online]. Available: [https://courses.grainger.illinois.edu/ece445zjui/documents/ECE\\_445\\_Final\\_Report\\_Guidelines.pdf](https://courses.grainger.illinois.edu/ece445zjui/documents/ECE_445_Final_Report_Guidelines.pdf) (visited on 03/22/2024).
- [14] ECE 445 Spring 2016 Course Staff, *Safe practice for lead acid and lithium batteries*, University of Illinois at Urbana-Champaign, Apr. 13, 2016. [Online]. Available: <https://courses.grainger.illinois.edu/ece445zjui/documents/GeneralBatterySafety.pdf> (visited on 02/27/2024).
- [15] Ministry of Industry and Information Technology, *家用和类似用途电器的安全, 电池充电器的特殊要求 [Household and similar electrical appliances – Safety – Particular requirements for battery chargers]*, GB 4706.18-2014, Dec. 5, 2014, [Online]. Available: <https://openstd.samr.gov.cn/bz/gk/gb/newGbInfo?hcno=674F4507CC2ACFAD9F0C6C85895DD64E> (visited on 02/12/2024), Active.
- [16] Standardization Administration of China, *特低电压 (ELV) 限值 [Extra-low voltage (ELV) – Limit values]*, GB/T 3805-2008, Jan. 22, 2008, [Online]. Available: <https://openstd.samr.gov.cn/bz/gk/gb/newGbInfo?hcno=2A3598C5E4A0EB6BDBD6D1BD52681A6A> (visited on 02/29/2024), Active.
- [17] Ministry of Industry and Information Technology, *家用和类似用途电器的安全, 第 1 部分: 通用要求 [Household and similar electrical appliances – Safety – Part 1: General requirements]*, GB 4706.1-2005, Aug. 26, 2005, [Online]. Available: <https://openstd.samr.gov.cn/bz/gk/gb/newGbInfo?hcno=EBFC09A41682AC72F3F5216DBA619A40> (visited on 02/12/2024), Active.
- [18] China Machinery Industry Federation, *小型风力发电机组用发电机, 第 1 部分: 技术条件 [Generator of small wind turbines – Part 1: Technical condition]*, GB/T 10760.1-2017, Oct. 14, 2017, [Online]. Available: <https://openstd.samr.gov.cn/bz/gk/gb/newGbInfo?hcno=5517004881FF78E39396E316AE2114CC> (visited on 02/11/2024), Active.
- [19] IEEE Board of Directors, *IEEE code of ethics*, Institute of Electrical and Electronics Engineers, Jun. 2010. [Online]. Available: <https://www.ieee.org/content/dam/ieee-org/ieee/web/org/about/corporate/ieee-code-of-ethics.pdf>.