

ECE 445
SENIOR DESIGN LABORATORY
PROJECT PROPOSAL

Project Proposal for ECE 445

SHAOHUA SUN
(shaohua6@illinois.edu)

YE YANG
(yeyang3@illinois.edu)

MINGJUN WEI
(mingjun9@illinois.edu)

YINJIE RUAN
(yinjier2@illinois.edu)

February 28, 2024

Contents

1	Introduction	iii
1.1	Problem	iii
1.1.1	Problem #1	iii
1.1.2	Problem #2	iii
1.2	Solution	iii
1.2.1	Using a shelter	iii
1.2.2	Improve the functionality of the server	iii
1.3	Visual Aid	iv
1.4	High-level requirements list	iv
2	Design	vi
2.1	Block Diagram	vi
2.2	Subsystem Overview	vi
2.2.1	Server	vi
2.2.2	Shelter	vi
2.2.3	Peripherals	vi
2.3	Subsystem Requirements	vi
2.3.1	Shelter	vi
2.3.2	Server	ix
2.3.3	Peripherals	ix
2.4	Tolerance Analysis	ix
3	Ethics and Safety	xi
	Appendix A Appendix	xii

1 Introduction

1.1 Problem

In the present stage of Edge Computing, the edge servers are considered to be deployed at fixed locations. There might be two problems.

1.1.1 Problem #1

The immobility of the server has fixed service region, which has low utilization rate for some reasons. For example, the duration of a car in the service range is limited, which fundamentally stop the server from accomplishing time-consuming work, like deep learning problems. So the server either not provide the service at all, which makes the server idle, or transfer the data to the next server where the car is going to approach, which is sophisticating.

1.1.2 Problem #2

As the server is located at the inner space of a small building, the energy consumption for the traditional cooling system, such as fans or air-conditioners, is tremendous. That does not meet the initiative of energy saving.

1.2 Solution

Considering the problem above, we aim to deploy the edge server on-board the vehicle, e.g. a car, in order to make use of the mobility of the car. There are two main advantages in this way. First, the service coverage is dynamic so that statistically, the average utilization rate of a server rises. That's because a car is probable not to pass the region often with little car flow, but a station has no way but stay at this region. Second, we propose that with the utilization of the moving car, the server is cooled down mostly by the wind. It saves a lot of energy compared with the case if we put the server inside a building and traditionally installing a refrigerator regarding the large amount of heat produced by the server.

1.2.1 Using a shelter

Now that the server is put on-board, we need to design a shelter with a ventilating structure to make it stable enough, immune to rain, and realize effective wind cooling.

1.2.2 Improve the functionality of the server

In order to improve the performance of the server and save more energy, we want to design a control module of adjusting the CPU utility according to the cooling effect. Also, as the server cannot be accessed in wires, we need to add a wireless communication module to make it accessible to the nearby base station.

1.3 Visual Aid

1.4 High-level requirements list

1. Energy saving:

The cooling system can save 40% of the electricity, compared with the traditional temperature-only based cooling system, i.e. using fan or air-conditioner only.

2. Cooling effectiveness:

The peak server temperature can be consistently controlled under 75°C regardless of the speed of the car.

3. Computational performance improvement:

The computing intensity can be dynamically adjusted with the help of the wind cooling to improve the overall utilization and performance of the server. The server on-board vehicle can accomplish more than 10% work load compared with the server deployed indoors.

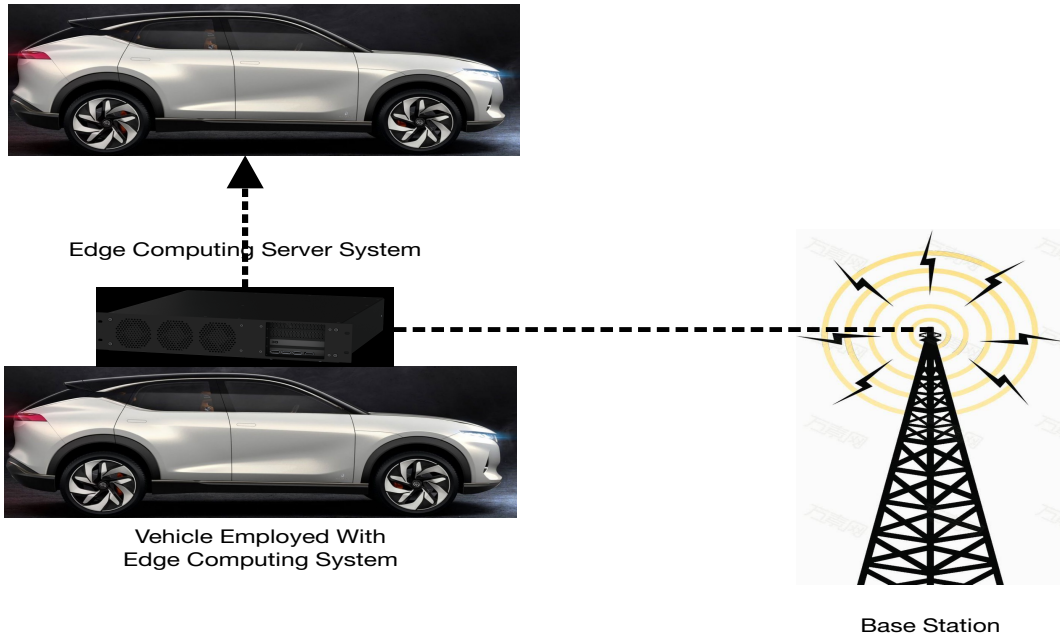


Figure 1: Visual Aid

2 Design

2.1 Block Diagram

2.2 Subsystem Overview

Our design is divided into three main systems, which are the server, the shelter of the server, and the peripherals.

2.2.1 Server

This block just includes the server itself. The server will be modelled as if it's in practical use, so that we can test whether the cooling system is functioning well or not. We will enhance its ability of wireless communication, so that it can get access to the user ends and also the nearby base station at any time to transmit and receive data.

2.2.2 Shelter

This block is the shelter of the server. It has three functionalities. The basic functionality is to carry and fix the server on the vehicle. Second, it functions as a cooling system, including air path and phase-change material. The air path utilizes the wind to cool the server when the vehicle is running. Third, it can protect the server from rainy or snowy weather conditions. We'll design a waterproof shelter to help to drain the water away the server (the inner space of the shelter).

2.2.3 Peripherals

This block includes a micro-controller, the speed sensor, potential electronic devices needed for water-cooling, and a WiFi. Also there's a Li-ion battery to provide energy to the devices above. The speed sensor detects the speed of the wind to get more information about the air passing. The micro-controller receives the data from the sensor to make decisions to control the water-cooling part. The WiFi transmits and receives data between the server and the base station.

2.3 Subsystem Requirements

2.3.1 Shelter

The shelter has a little larger dimension than the server to fit it. It is fixed at the roof of the vehicle to carry the server with the larger side of it aligned with the direction of the vehicle. The roof of the shelter is waterproof, and it needs to have the design of inclination to expedite the water draining and avoid a thick snow cover. One of the side of the shelter, like the one towards the rear of the vehicle, needs to protect of the potential wires from rain or snow. This side should not be sealed so that the user can plug and unplug wires and battery conveniently. Inside the shelter, it has an air pathway along the direction of the vehicle to let the wind to cool the server effectively. We need to design a pathway

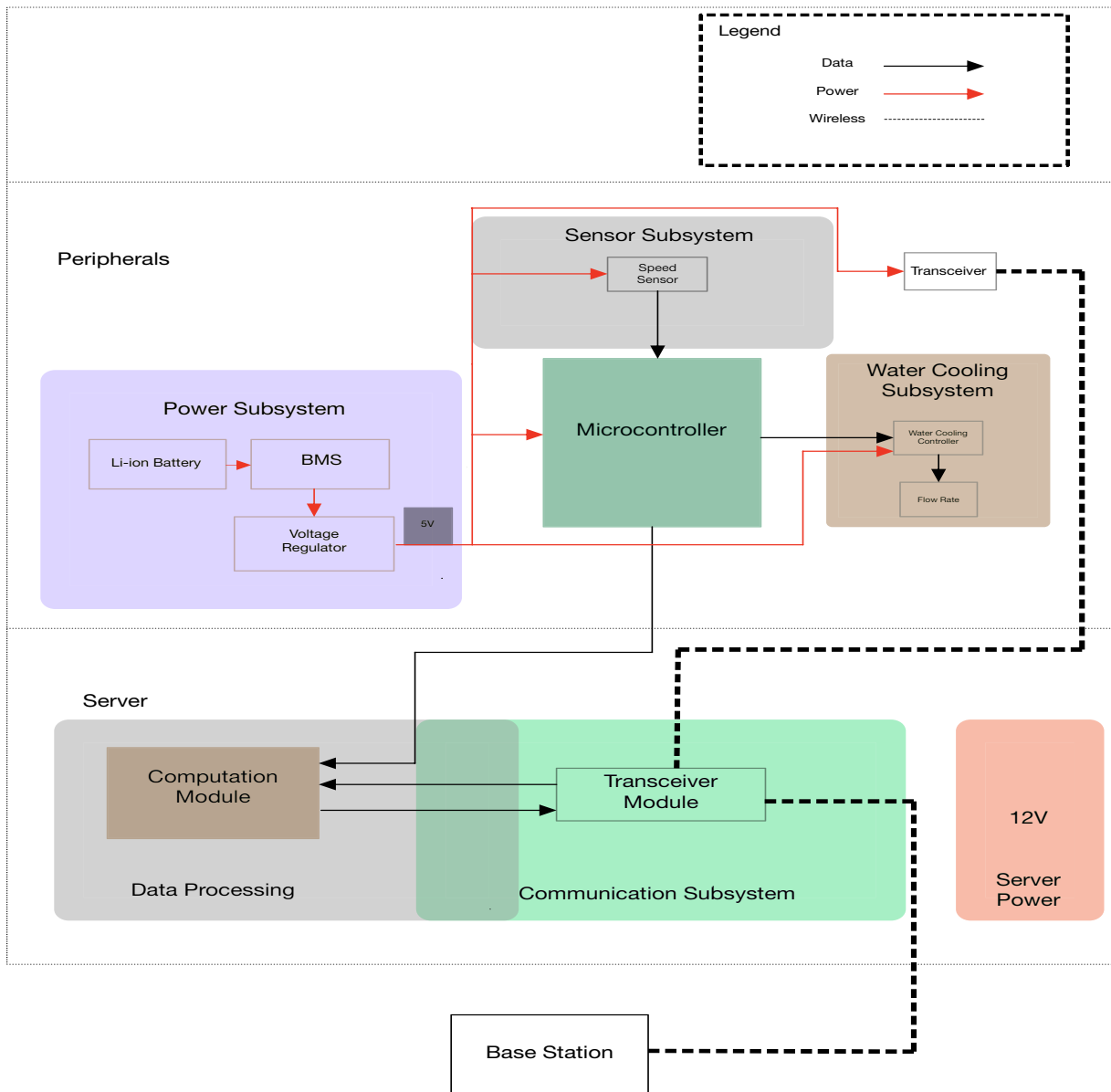


Figure 2: Block Diagram(1)

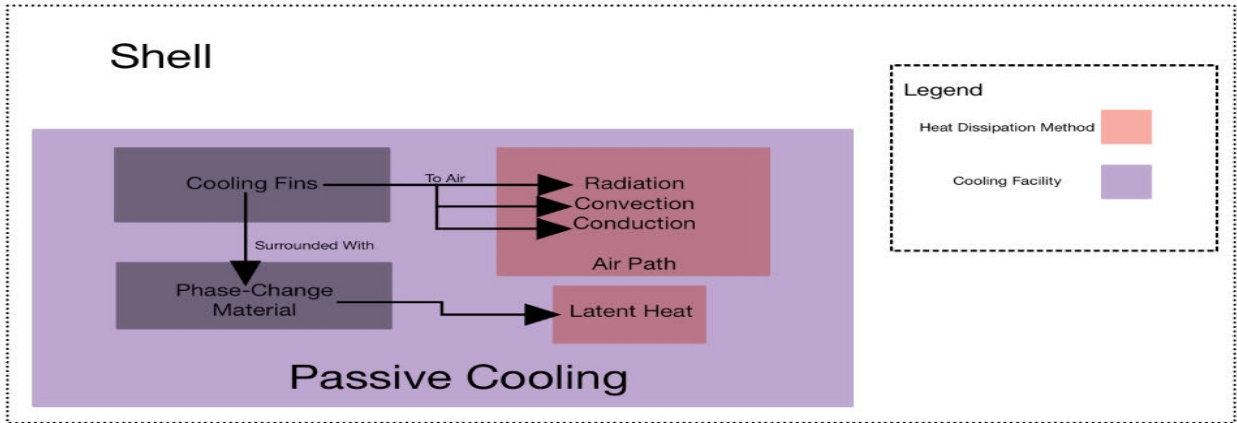


Figure 3: Block Diagram(2)

structure and test it to reach the best cooling performance. Cooling fins are set at the edge of the air pathway, and also, we design to add phase-change materials surrounding the fins to enhance the cooling ability.

2.3.2 Server

The server is located and fixed inside the shelter. It is configured to the basic use in Linux system, including running programs, connecting to the wireless communication subsystem, etc. It will run Deep Learning problems to model the work required by self-driving or other applications. In order to exploit the wind cooling system, the server can run faster to process more work to improve its ability. A block of code can make use of the CPU temperature to control the CPU utility to achieve it.

2.3.3 Peripherals

- The wireless communication subsystem: transceiver. It gets energy from the Li-ion battery. It adopts wireless connection with the base station with reliable accessibility through certain protocols. And it is wired to the server to make data connection with it. We need to figure out the specific components of this part needed and the proper wireless protocol.
- The micro-controller. It connects the server to transmit data, like those from the speed sensor; and it receives data of instruction from the server.
- The sensor subsystem: a speed sensor. It gets energy from the Li-ion battery. By sensing the speed of the wind, it connects to the micro-controller to transmit data.
- The water cooling subsystem: water cooling controller. It complements the wind cooling system by using the water collected from rain. This part may not be used in the end, and we need to figure out its components.
- The power subsystem: Li-ion battery. It must be able to supply to the rest of the system continuously at 5V.

2.4 Tolerance Analysis

For the given server shelter with dimensions of 1m x 60cm x 60cm, we can perform a basic thermal analysis to estimate the airflow required to prevent overheating.

Assumptions:

- The server generates a uniform heat load, which we will assume is 400 W (a typical value for a small server).
- The shell is made of a thermally conductive material (like aluminum).
- The ambient temperature is 25°C.

- The target maximum internal temperature is 75°C to ensure electronic components operate within safe temperatures.

Heat Transfer Calculation:

Using the formula $Q = \dot{m} \cdot c_p \cdot \Delta T$, where:

- Q is the heat power (Watts),
- \dot{m} is the mass flow rate of air (kg/s),
- c_p is the specific heat capacity of air (approximately 1005 J/(kg·K) at room temperature),
- ΔT is the temperature difference (K).

We need to solve for \dot{m} , given that $Q = 400$ W and $\Delta T = 50$ K (from 25°C to 75°C):

$$\dot{m} = \frac{Q}{c_p \cdot \Delta T}$$

$$\dot{m} = \frac{400 \text{ W}}{1005 \text{ J/kg} \cdot \text{K} \times 50 \text{ K}}$$

$$\dot{m} = \frac{400 \text{ W}}{50250 \text{ J/kg}}$$

The volumetric flow rate of air required is:

$$\dot{m} = \frac{400}{50250} \text{ kg/s}$$

We can also convert this mass flow rate to a volumetric flow rate using the density of air (which is approximately 1.225 kg/m³ at sea level and at 25°C):

$$\dot{V} = \dot{m} \cdot \frac{1}{\rho}$$

The calculation is done only in an ideal way. However, under certain condition of the server operating, the flow rate of air required will change. We'll use the experimental data to do the mathematical analysis later.

3 Ethics and Safety

We admit that we must try our best to guarantee the safety during our project, and the safety of the practical application of the design of the project. We consider some potential safety problems that needs serious attention in our project.

- We know that the edge server can help to process the data from other cars and we will spare no effort to protect the safety of data with the methods including encryption algorithm to protect user privacy.
- Our project is related to vehicle so we must pay attention to the driving safety. We must ensure that the computing system does not interfere with the vehicle's electronic systems, which could affect navigation, communication, or other critical functions.
- Also, we make sure that any modifications do not negatively impact the vehicle's safe running or emergency handling.
- Since our server is fixed on the car, we must make sure that the fixation is reliable.

Throughout the whole project, we will adhere the IEEE code of ethics. We will "uphold the highest standards of integrity, responsible behavior, and ethical conduct in professional activities". We will "treat all persons fairly and with respect, to not engage in harassment or discrimination, and to avoid injuring others". We will "strive to ensure this code is upheld by colleagues and co-workers".

Appendix A Appendix

@online ieee-ethics, author = IEEE, title = "IEEE Code of Ethics", year = 2016, url = <https://www.ieee.org/about/corporate/governance/p7-8.html>, urldate = 2020-02-08.