

Appendix C: Pipelining: Basic and Intermediate Concepts

Key ideas and simple pipeline (Section C.1)

Hazards (Sections C.2 and C.3)

- Structural hazards

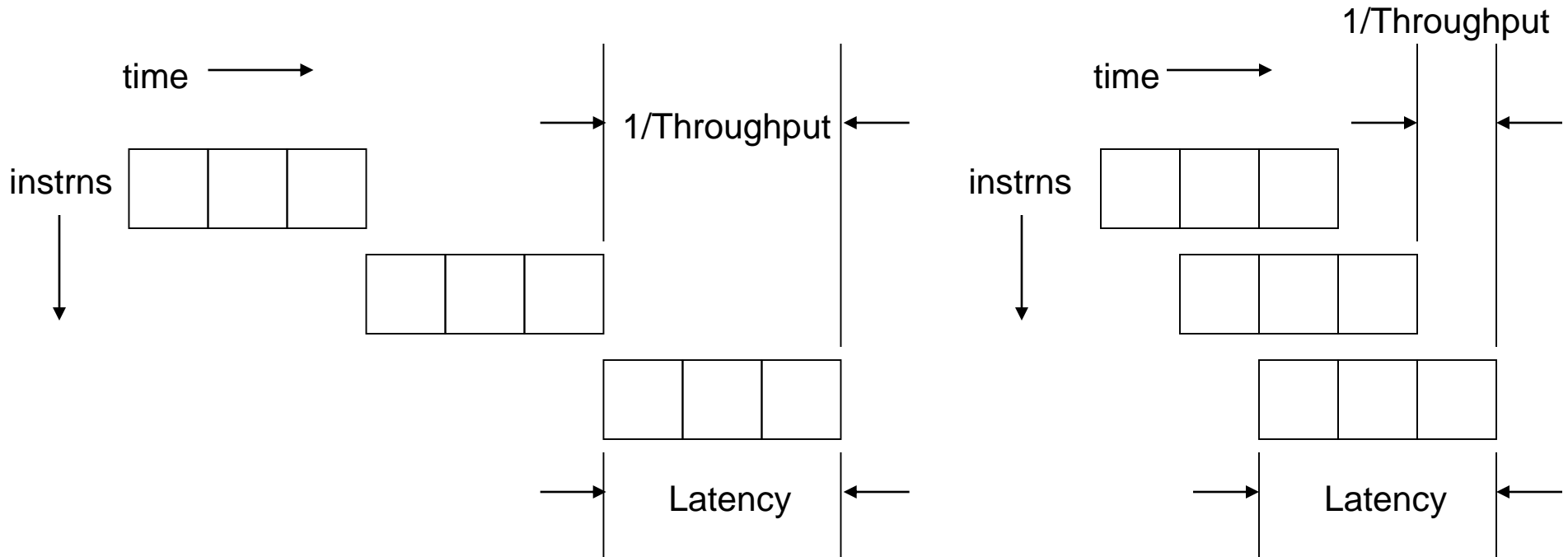
- Data hazards

- Control hazards

Exceptions (Section C.4)

Multicycle operations (Section C.5)

Pipelining - Key Idea



Ideally,

$$Time_{pipeline} = \frac{Time_{sequential}}{Pipeline\ Depth}$$

$$Speedup = \frac{Time_{sequential}}{Time_{pipeline}} = Pipeline\ Depth$$

Practical Limit 1 – Unbalanced Stages

Consider an instruction that requires n stages

s_1, s_2, \dots, s_n , taking time t_1, t_2, \dots, t_n .

Let $T = \sum t_i$

Without pipelining

With an n -stage pipeline

Throughput =

Throughput =

Latency =

Latency =

Speedup

Practical Limit 1 – Unbalanced Stages**

Consider an instruction that requires n stages

s_1, s_2, \dots, s_n , taking time t_1, t_2, \dots, t_n .

Let $T = \sum t_i$

Without pipelining

$$\text{Throughput} = \frac{1}{T} = \frac{1}{\sum t_i}$$

Latency =

With an n -stage pipeline

$$\text{Throughput} = \frac{1}{\max t_i} \leq \frac{n}{T}$$

Latency =

Speedup

Practical Limit 1 – Unbalanced Stages**

Consider an instruction that requires n stages

s_1, s_2, \dots, s_n , taking time t_1, t_2, \dots, t_n .

Let $T = \sum t_i$

Without pipelining

$$\text{Throughput} = \frac{1}{T} = \frac{1}{\sum t_i}$$

$$\text{Latency} = T = \frac{1}{\text{Throughput}}$$

With an n -stage pipeline

$$\text{Throughput} = \frac{1}{\max t_i} \leq \frac{n}{T}$$

$$\text{Latency} = n \times \max t_i \geq T$$

Speedup

Practical Limit 1 – Unbalanced Stages**

Consider an instruction that requires n stages

s_1, s_2, \dots, s_n , taking time t_1, t_2, \dots, t_n .

Let $T = \sum t_i$

Without pipelining

$$\text{Throughput} = \frac{1}{T} = \frac{1}{\sum t_i}$$

$$\text{Latency} = T = \frac{1}{\text{Throughput}}$$

With an n -stage pipeline

$$\text{Throughput} = \frac{1}{\max t_i} \leq \frac{1}{T}$$

$$\text{Latency} = n \times \max t_i \geq T$$

$$\text{Speedup} \leq \frac{\sum t_i}{\max t_i} \leq n$$

Practical Limit 2 - Overheads

Let $\Delta > 0$ be extra delay per stage

e.g., latches

Δ limits the useful depth of a pipeline.

With an n stage pipeline

$$\textit{Throughput} = \frac{1}{\Delta + \max t_i} < \frac{n}{T}$$

$$\textit{Latency} = n \times (\Delta + \max t_i) \geq n\Delta + T$$

$$\textit{Speedup} = \frac{\sum t_i}{\Delta + \max t_i} < n$$

Example

Let $t_{1,2,3} = 8, 12, 10$ ns and $\Delta = 2$ ns

Throughput =

Latency =

Speedup =

Example**

Let $t_{1,2,3} = 8, 12, 10 \text{ ns}$ and $\Delta = 2 \text{ ns}$

Throughput = $1/(2 \text{ ns} + 12 \text{ ns}) = 1/(14 \text{ ns})$

Latency =

Speedup =

Example**

Let $t_{1,2,3} = 8, 12, 10 \text{ ns}$ and $\Delta = 2 \text{ ns}$

Throughput = $1/(2 \text{ ns} + 12 \text{ ns}) = 1/(14 \text{ ns})$

Latency = $3 (2 \text{ ns} + 12 \text{ ns}) = 42 \text{ ns}$

Speedup =

Example**

Let $t_{1,2,3} = 8, 12, 10$ ns and $\Delta = 2$ ns

Throughput = $1/(2$ ns + 12 ns) = $1/(14$ ns)

Latency = 3 (2 ns + 12 ns) = 42 ns

Speedup = $(30$ ns)/(2 ns + 12 ns) = $2.14 < 3$

Practical Limit 3 - Hazards

$$\text{Pipeline Speedup} = \frac{\text{Time}_{\text{sequential}}}{\text{Time}_{\text{pipeline}}} = \frac{\text{CPI}_{\text{sequential}}}{\text{CPI}_{\text{pipeline}}} \times \frac{\text{Cycle Time}_{\text{sequential}}}{\text{Cycle Time}_{\text{pipeline}}}$$

If we ignore cycle time differences:

$$\text{CPI}_{\text{ideal-pipeline}} = \frac{\text{CPI}_{\text{sequential}}}{\text{Pipeline Depth}}$$

$$\text{Pipeline Speedup} = \frac{\text{CPI}_{\text{ideal-pipeline}} \times \text{Pipeline Depth}}{\text{CPI}_{\text{ideal-pipeline}} + \text{Pipeline stall cycles}}$$

Pipelining a Basic RISC ISA

Assumptions:

Only loads and stores affect memory

Base register + immediate offset = effective address

ALU operations

Only access registers

Two sources – two registers, or register and immediate

Branches and jumps

Address = PC + offset

Comparison between a register and zero

The last assumption is different from the 6th edition of the text and results in a slightly different pipeline. We will discuss reasons and implications in class.

A Simple Five Stage RISC Pipeline

Pipeline Stages

IF – Instruction Fetch

ID – Instruction decode, register read, branch computation

EX – Execution and Effective Address

MEM – Memory Access

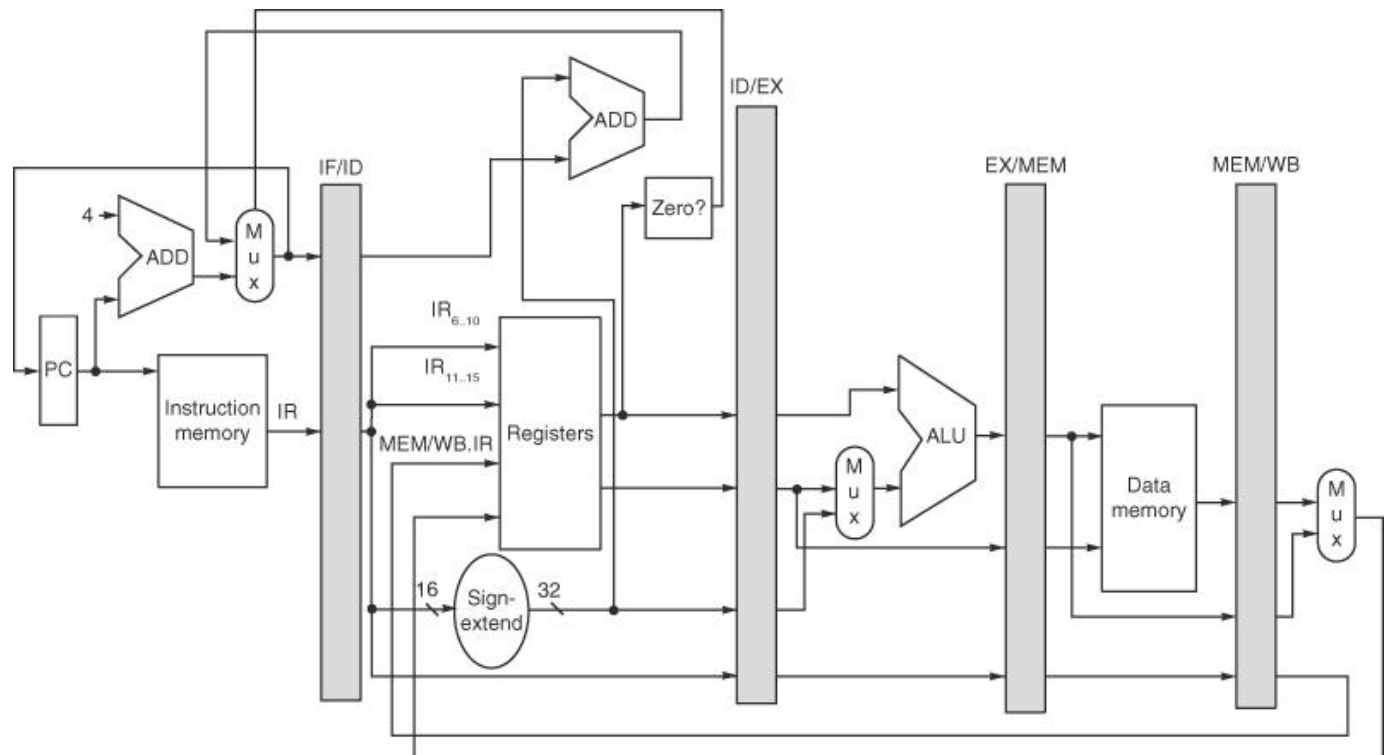
WB – Writeback

	1	2	3	4	5	6	7	8	9
i	IF	ID	EX	MEM	WB				
i+1		IF	ID	EX	MEM	WB			
i+2			IF	ID	EX	MEM	WB		
i+3				IF	ID	EX	MEM	WB	
i+4					IF	ID	EX	MEM	WB

Pipelining really isn't this simple

A Naive Pipeline Implementation

Figure C.28
of 5th edition



Copyright © 2011, Elsevier Inc. All rights Reserved.

Pipelining really isn't this simple

A Naive Pipeline Implementation**

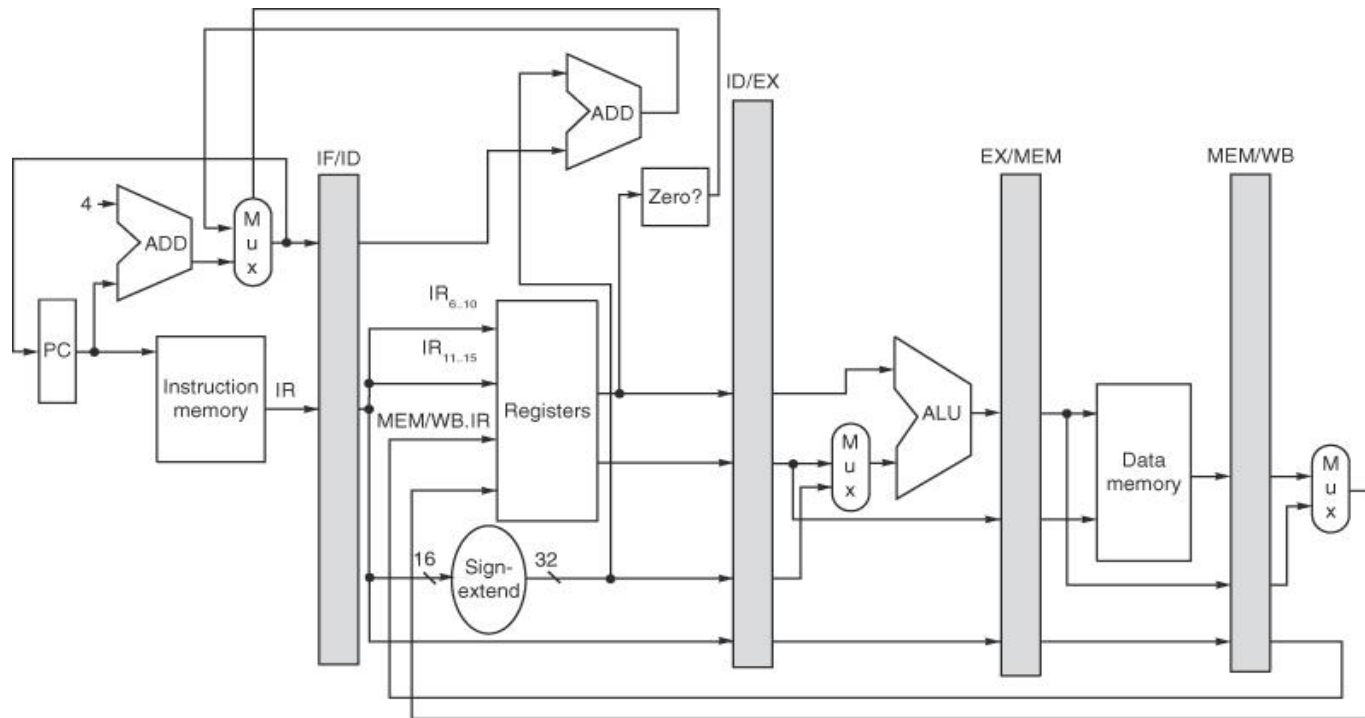


Figure C.28 The stall from branch hazards can be reduced by moving the zero test and branch-target calculation into the ID phase of the pipeline. Notice that we have made two important changes, each of which removes 1 cycle from the 3-cycle stall for branches. The first change is to move both the branch-target address calculation and the branch condition decision to the ID cycle. The second change is to write the PC of the instruction in the IF phase, using either the branch-target address computed during ID or the incremented PC computed during IF. In comparison, Figure C.22 obtained the branch-target address from the EX/MEM register and wrote the result during the MEM clock cycle. As mentioned in Figure C.22, the PC can be thought of as a pipeline register (e.g., as part of ID/IF), which is written with the address of the next instruction at the end of each IF cycle.

Hazards

Hazards

Structural Hazards

Data Hazards

Control Hazards

*Hazards***

Hazards

Conditions that prevent the next instruction from executing

Structural Hazards

Data Hazards

Control Hazards

*Hazards***

Hazards

Conditions that prevent the next instruction from executing

Structural Hazards

When two different instructions want to use the same hardware resource in the same cycle (resource conflict)

Data Hazards

Control Hazards

*Hazards***

Hazards

Conditions that prevent the next instruction from executing

Structural Hazards

When two different instructions want to use the same hardware resource in the same cycle (resource conflict)

Data Hazards

When two different instructions use the same location, it must appear as if instructions execute one at a time and in the specified order

Control Hazards

*Hazards***

Hazards

Conditions that prevent the next instruction from executing

Structural Hazards

When two different instructions want to use the same hardware resource in the same cycle (resource conflict)

Data Hazards

When two different instructions use the same location, it must appear as if instructions execute one at a time and in the specified order

Control Hazards

When an instruction affects which instructions are executed next
– branches, jumps, calls

Handling Hazards

Pipeline interlock logic

 Detects hazard and takes appropriate action

Simplest solution: stall

 Increases CPI

 Decreases performance

Other solutions are harder, but have better performance

Structural Hazards

When two *different* instructions want to use the *same* hardware resource in the *same* cycle

Stall (cause bubble)

- + Low cost, simple

- Increases CPI

- Use for rare events

- E.g., ??

Duplicate Resource

- + Good performance

- Increases cost (and maybe cycle time for interconnect)

- Use for cheap resources

- E.g., ALU and PC adder

Structural Hazards, cont.

Pipeline Resource

- + Good performance

- Often complex to do

- Use when simple to do

- E.g., write & read registers every cycle

Structural hazards are avoided if each instruction uses a resource

- At most once

- Always in the same pipeline stage

- For one cycle

- (\Rightarrow no cycle where two instructions use the same resource)

Structural Hazard Example

Loads/stores (MEM) use same memory port as instrn fetches (IF)

30% of all instructions are loads and stores

Assume CPI_{old} is 1.5

	1	2	3	4	5	6	7	8	9	
i	IF	ID	EX	MEM	WB	← a load				
$i+1$		IF	ID	EX	MEM	WB				
$i+2$			IF	ID	EX	MEM	WB			
$i+3$				**	IF	ID	EX	MEM	WB	
$i+4$						IF	ID	EX	MEM	WB

How much faster could a new machine with two memory ports be?

Structural Hazard Example**

Loads/stores (MEM) use same memory port as instrn fetches (IF)

30% of all instructions are loads and stores

Assume CPI_{old} is 1.5

	1	2	3	4	5	6	7	8	9	
i	IF	ID	EX	MEM	WB	<- a load				
i+1		IF	ID	EX	MEM	WB				
i+2			IF	ID	EX	MEM	WB			
i+3				**	IF	ID	EX	MEM	WB	
i+4						IF	ID	EX	MEM	WB

How much faster could a new machine with two memory ports be?

$$CPI_{new} = 1.5 - 1 \times 30\% = 1.2$$

$$Speedup = \frac{CPI_{old}}{CPI_{new}} = (1.5/1.2) = 1.25$$

Data Hazards

When two different instructions use the same location, it must appear as if instructions execute one at a time and in the specified order

```
i      ADD  r1, r2,  
i+1    SUB  r2, , r1  
i+2    OR   r1, --,
```

Read-After-Write (RAW, data-dependence)

A true dependence

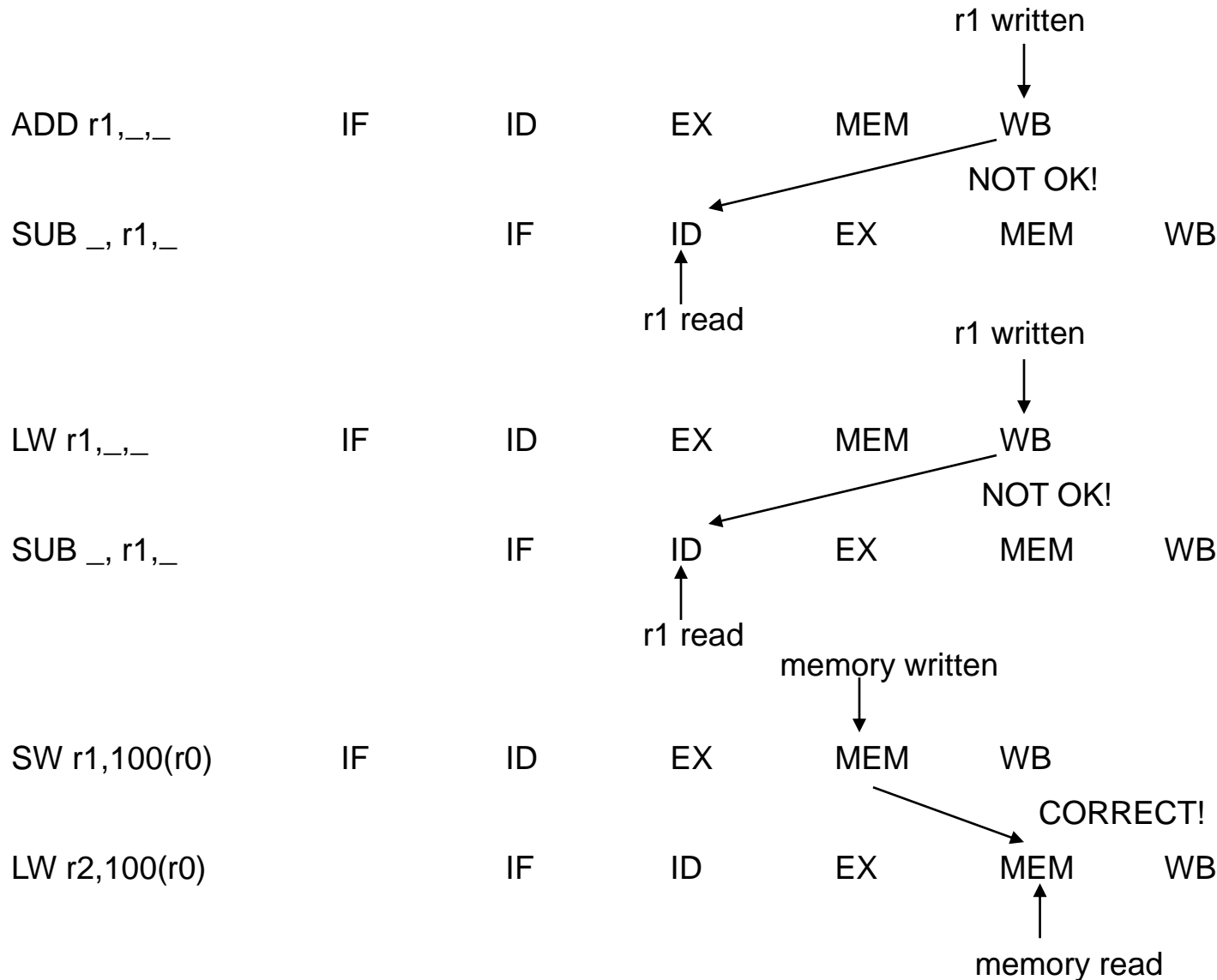
MOST IMPORTANT

Write-After-Read (WAR, anti-dependence)

Write-After-Write (WAW, output-dependence)

NOT: Read-After-Read (RAR)

Example Read-After-Write Hazards

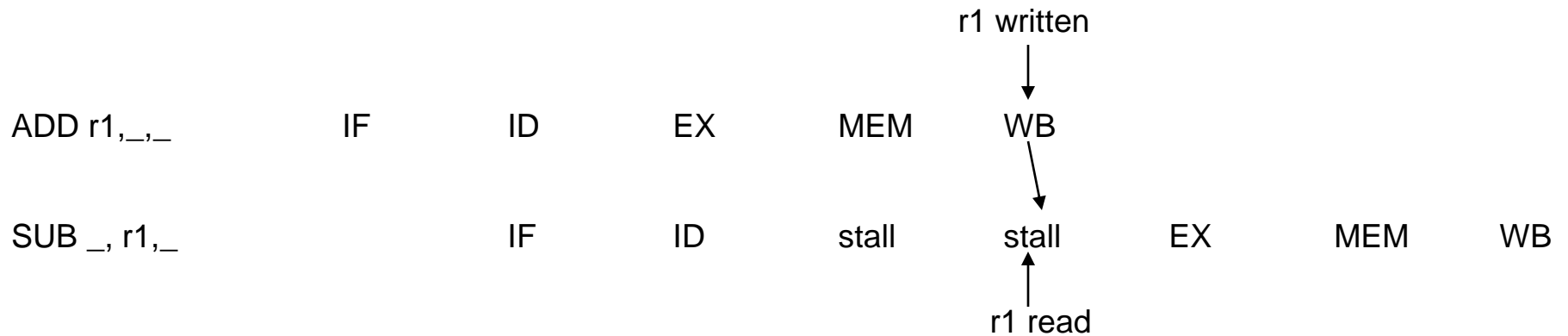


(Unless LW instrn is at address 100(r0))

RAW Solutions

Solutions must first detect RAW, and then ...

Stall



(Assumes registers written then read each cycle)

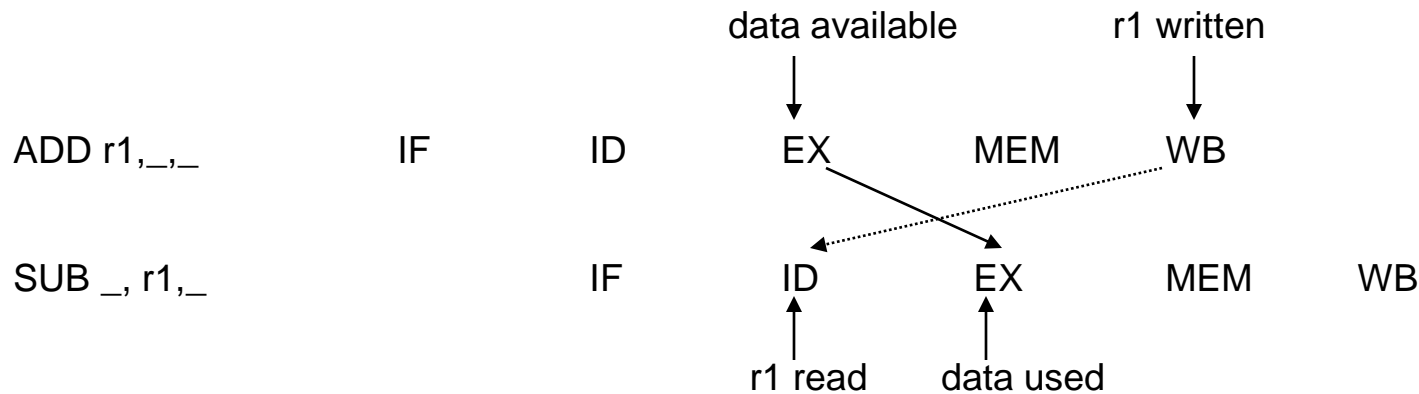
+ Low cost, simple

Increases CPI (plus 2 per stall in 5 stage pipeline)

Use for rare events

RAW Solutions

Bypass/Forward/ShortCircuit



Use data before it is in register

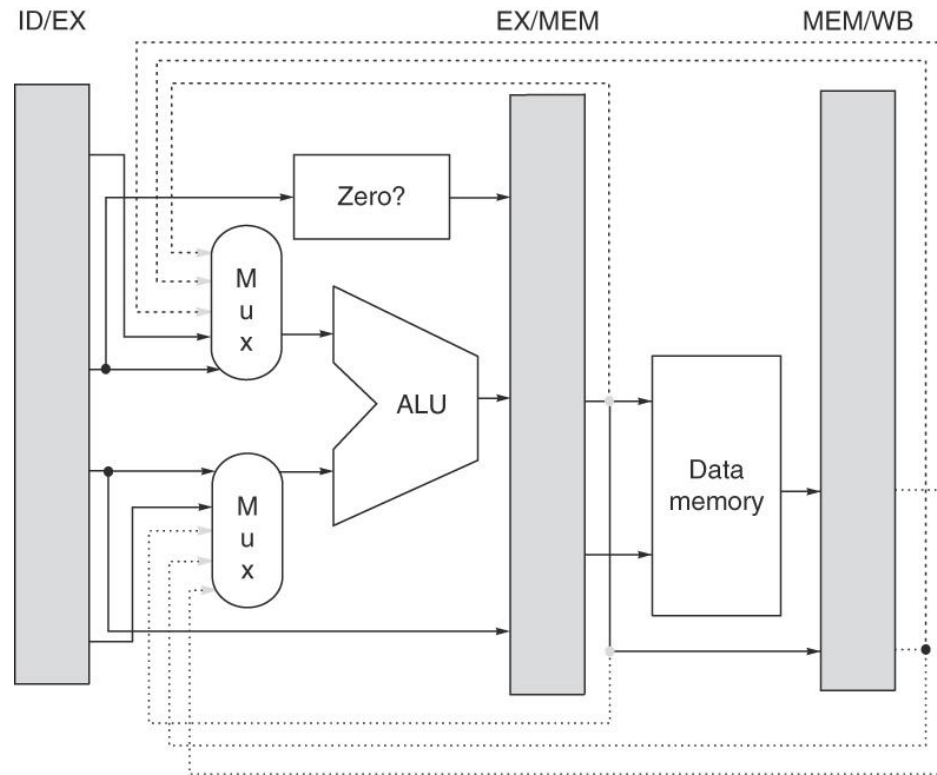
+ Reduces (avoids) stalls

More complex

Critical for common RAW hazards

Bypass, cont.

Figure C.27
5th edition



Copyright © 2011, Elsevier Inc. All rights Reserved.

Additional hardware

Muxes supply correct result to ALU

Additional control

Interlock logic must control muxes

Bypass, cont. **

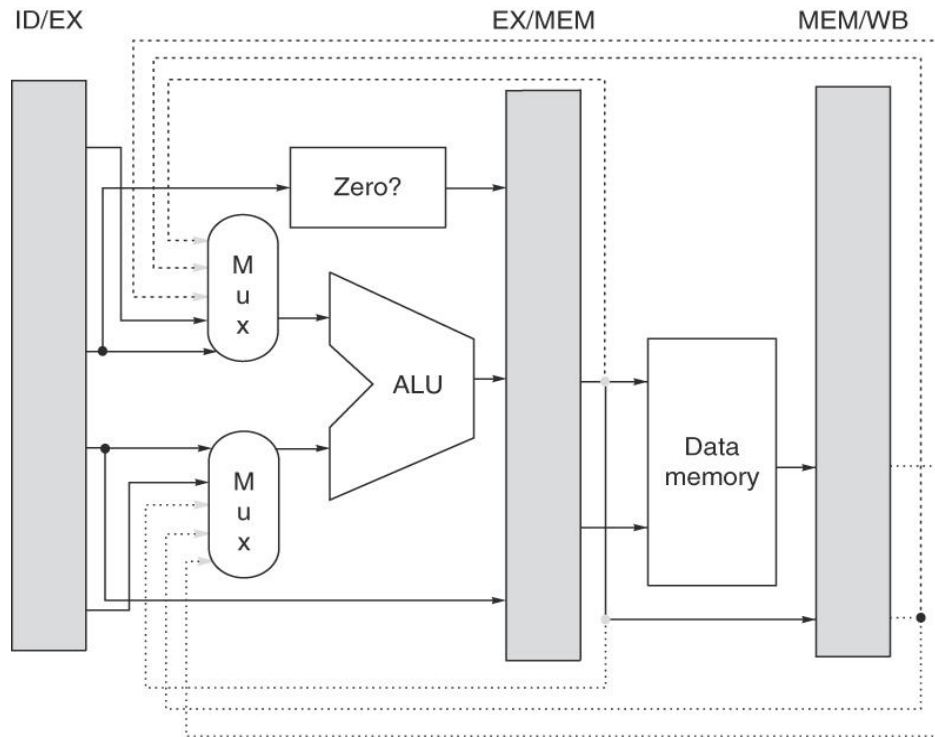
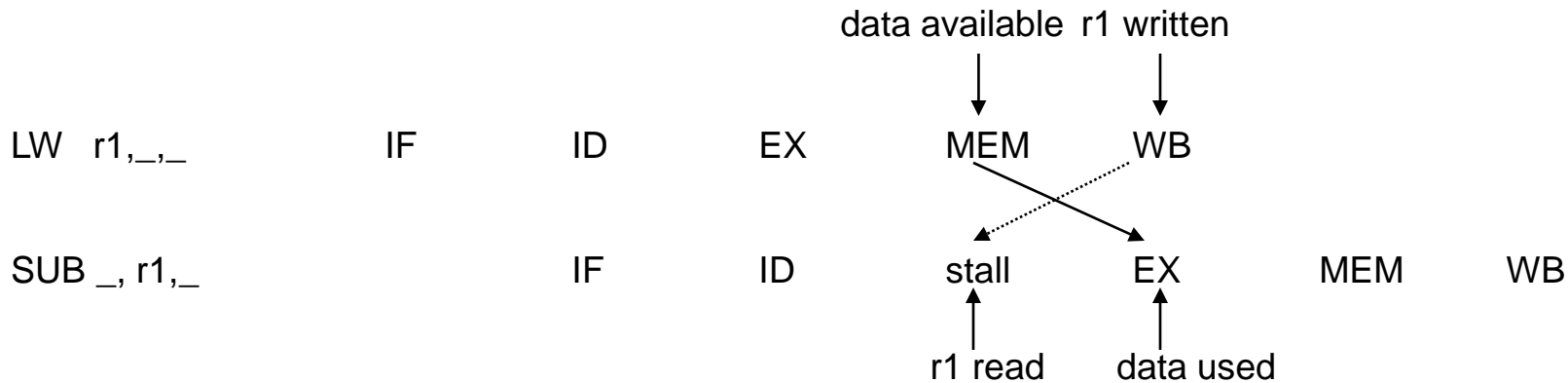


Figure C.27 Forwarding of results to the ALU requires the addition of three extra inputs on each ALU multiplexer and the addition of three paths to the new inputs. The paths correspond to a bypass of: (1) the ALU output at the end of the EX, (2) the ALU output at the end of the MEM stage, and (3) the memory output at the end of the MEM stage.

RAW Solutions, cont.

Hybrid solution sometimes required:



One cycle bubble if result of load used by next instruction

Pipeline scheduling at compile time

Moves instructions to eliminate stalls

Pipeline Scheduling Example

Before:

```
a = b + c;  LW  Rb, b
             LW  Rc, c
             <- stall
             ADD Ra, Rb, Rc
             SW  a, Ra

d = e - f;  LW  Re, e
           LW  Rf, f
           <- stall
           SUB Rd, Re, Rf
           SW  d, Rd
```

After:

```
a = b + c;  LW  Rb, b
           LW  Rc, c
           LW  Re, e
           ADD Ra, Rb, Rc

d = e - f;  LW  Rf, f
           SW  a, Ra
           SUB Rd, Re, Rf
           SW  d, Rd
```

Other Data Hazards

```
i      ADD r1,r2,  
i+1    SUB r2,,r1  
i+2    OR  r1,,
```

Write-After-Read (WAR, anti-dependence)

```
i      MULT , (r2), r1 /* RX mult */  
i+1    LW   , (r1)+ /* autoincrement */
```

Write-After-Write (WAW, output-dependence)

```
i      DIVF fr1, , /* slow */  
i+1  
i+2    ADDF fr1, , /* fast */
```

Other Data Hazards**

```
i      ADD  r1, r2,  
i+1    SUB  r2, , r1  
i+2    OR   r1, ,
```

Write-After-Read (WAR, anti-dependence)

Not in basic pipeline: read early / write late

Consider late read then early write:

```
i      MULT , (r2), r1      /* RX mult */  
i+1    LW   , (r1)+        /* autoincrement */
```

Write-After-Write (WAW, output-dependence)

```
i      DIVF fr1, ,         /* slow */  
i+1  
i+2    ADDF fr1, ,         /* fast */
```

Other Data Hazards**

```
i    ADD r1,r2,  
i+1  SUB r2,,r1  
i+2  OR  r1,,
```

Write-After-Read (WAR, anti-dependence)

Not in basic pipeline: read early / write late

Consider late read then early write:

```
i    MULT , (r2), r1    /* RX mult */  
i+1  LW   , (r1)+      /* autoincrement */
```

Write-After-Write (WAW, output-dependence)

Not in basic pipeline: writes are in order

Consider: slow then fast operation

```
i    DIVF fr1, ,      /* slow */  
i+1  
i+2  ADDF fr1, ,      /* fast */
```

Occur easily with out-of-order execution

Control Hazards

When an instruction affects which instructions are executed *next* --
branches, jumps, calls

```
i      BEQZ r1,#8
i+1    SUB  ,,
      ...
i+8    OR   ,,
i+9    ADD  ,,
```

1	2	3	4	5	6	7	8	9
i	IF	ID	EX	MEM	WB			
i+1		IF (aborted)						
i+8			IF	ID	EX	MEM	WB	
i+9				IF	ID	EX	MEM	

Handling control hazards is very important

Handling Control Hazards

Branch Prediction

- Guess the direction of the branch

- Minimize penalty when right

- May increase penalty when wrong

Techniques

- Static – At compile time

- Dynamic – At run time

Static Techniques

- Predict NotTaken

- Predict Taken

- Delayed Branches

Dynamic techniques and more powerful static techniques later...

Handling Control Hazards, cont.

Predict NOT-TAKEN Always

NotTaken:

	1	2	3	4	5	6	7	8
i	IF	ID	EX	MEM	WB			
i+1		IF	ID	EX	MEM	WB		
i+2			IF	ID	EX	MEM	WB	
i+3				IF	ID	EX	MEM	WB

Taken:

	1	2	3	4	5	6	7	8
i	IF	ID	EX	MEM	WB			
i+1		IF	(aborted)					
i+8			IF	ID	EX	MEM	WB	
i+9				IF	ID	EX	MEM	WB

Don't change machine state until branch outcome is known

Basic pipeline: State always changes late (WB)

Handling Control Hazards, cont.

Predict TAKEN Always

	1	2	3	4	5	6	7	8
i	IF	ID	EX	MEM	WB			
i+8		'IF'	ID	EX	MEM	WB		
i+9			IF	ID	EX	MEM	WB	
i+10				IF	ID	EX	MEM	WB

Must know what address to fetch at BEFORE branch is decoded

Not practical for our basic pipeline

Handling Control Hazards, cont.

Delayed branch

Execute next instruction regardless (of whether branch is taken)

What do we execute in the DELAY SLOT?

Delay Slots

Fill from before branch

When:

Helps:

Fill from target

When:

Helps:

Fill from fall through

When:

Helps:

*Delay Slots***

Fill from before branch

When: Branch independent of instruction

Helps: Always

Fill from target

When:

Helps:

Fill from fall through

When:

Helps:

*Delay Slots***

Fill from before branch

When: Branch independent of instruction

Helps: Always

Fill from target

When: OK to execute target

May have to duplicate code

Helps: On taken branch

May increase code size

Fill from fall through

When:

Helps:

*Delay Slots***

Fill from before branch

When: Branch independent of instruction

Helps: Always

Fill from target

When: OK to execute target

May have to duplicate code

Helps: On taken branch

May increase code size

Fill from fall through

When: OK to execute instruction

Helps: when not taken

Delay Slots (Cont.)

Cancelling or nullifying branch

Instruction includes direction of prediction

Delay instruction squashed if wrong prediction

Allows second and third case of previous slide to be more aggressive

Comparison of Branch Schemes

Suppose 14% of all instructions are branches

Suppose 65% of all branches are taken

Suppose 50% of delay slots usefully filled

CPIpenalty = % branches ×

(% Taken × Taken-Penalty + % Not-Taken × Not-Taken penalty)

Branch Scheme	Taken Penalty	Not-Taken Penalty	CPI Penalty
Basic Branch	1	1	.14
Not-Taken	1	0	.09
Taken0	0	1	.05
Taken1	1	1	.14
Delayed Branch	.5	.5	.07

Real Processors

MIPS R4000: 3 cycle branch penalty

First cycle: cancelling delayed branch (cancel if not taken)

Next two cycles: Predict not taken

Recent architectures:

Because of deeper pipelines, delayed branches not very useful

Processors rely more on hardware prediction (will see later) or
may include both delayed and nondelayed branches

Branch Prediction Accuracy**

MICROPROCESSOR REPORT

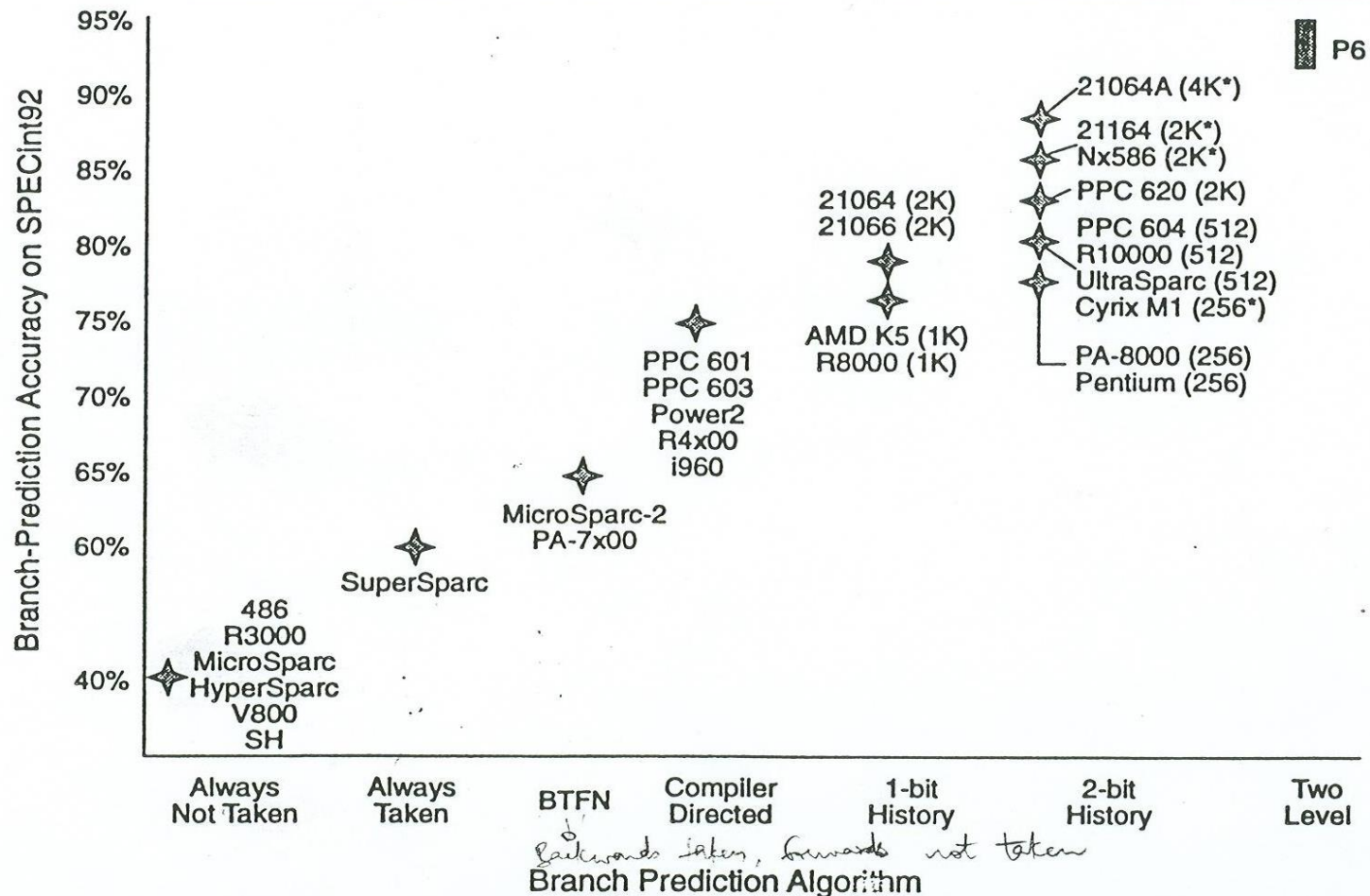


Figure 4. As processors use more complex algorithms, branch-prediction accuracy increases. (Number of history-table entries in parentheses.) *also uses return-address stack.

Interrupts

Interrupts (a.k.a. faults, exceptions, traps) often require

- Surprise jump

- Linking of return address

- Saving of PSW (including CCs)

- State change (e.g., to kernel mode)

Some examples

- Arithmetic overflow

- I/O device request

- O.S. call

- Page fault

Make pipelining hard

One Classification of Interrupts

1a. Synchronous

function of program and memory state

(e.g., arithmetic overflow, page fault)

1b. Asynchronous

external device or hardware malfunction

(printer ready, bus error)

Handling Interrupts

Precise Interrupts (Sequential Semantics)

Complete instrns before offending one

Squash (effects of) instrns after

Save PC

Force trap instrn into IF

Must handle simultaneous interrupts

IF –

ID –

EX –

MEM –

WB –

Which interrupt should be handled first?

*Handling Interrupts***

Precise Interrupts (Sequential Semantics)

Complete instrns before offending one

Squash (effects of) instrns after

Save PC (& nextPC w/ delayed branches)

Force trap instrn into IF

Must handle simultaneous interrupts

IF – memory problems (pagefault, misaligned reference, protection violation)

ID –

EX –

MEM –

WB –

Which interrupt should be handled first?

*Handling Interrupts***

Precise Interrupts (Sequential Semantics)

Complete instrns before offending one

Squash (effects of) instrns after

Save PC (& nextPC w/ delayed branches)

Force trap instrn into IF

Must handle simultaneous interrupts

IF – memory problems (pagefault, misaligned reference, protection violation)

ID – illegal or privileged instrn

EX –

MEM –

WB –

Which interrupt should be handled first?

*Handling Interrupts***

Precise Interrupts (Sequential Semantics)

Complete instrns before offending one

Squash (effects of) instrns after

Save PC (& nextPC w/ delayed branches)

Force trap instrn into IF

Must handle simultaneous interrupts

IF – memory problems (pagefault, misaligned reference, protection violation)

ID – illegal or privileged instrn

EX – arithmetic exception

MEM –

WB –

Which interrupt should be handled first?

*Handling Interrupts***

Precise Interrupts (Sequential Semantics)

Complete instrns before offending one

Squash (effects of) instrns after

Save PC (& nextPC w/ delayed branches)

Force trap instrn into IF

Must handle simultaneous interrupts

IF – memory problems (pagefault, misaligned reference, protection violation)

ID – illegal or privileged instrn

EX – arithmetic exception

MEM – memory problems

WB –

Which interrupt should be handled first?

*Handling Interrupts***

Precise Interrupts (Sequential Semantics)

- Complete instrns before offending one

- Squash (effects of) instrns after

- Save PC (& nextPC w/ delayed branches)

- Force trap instrn into IF

Must handle simultaneous interrupts

- IF – memory problems (pagefault, misaligned reference, protection violation)

- ID – illegal or privileged instrn

- EX – arithmetic exception

- MEM – memory problems

- WB – none

Which interrupt should be handled first?

Interrupts, cont.

Example: Data Page Fault

	1	2	3	4	5	6	7	8
i	IF	ID	EX	MEM	WB			
i+1		IF	ID	EX	MEM	WB	← page fault (MEM)	
i+2			IF	ID	EX	MEM	WB	← squash
i+3				IF	ID	EX	MEM	WB ← squash
i+4					IF	ID	EX	MEM WB ← squash
i+5				trap	→	IF	ID	EX MEM WB
i+6				trap handler	→	IF	ID	EX MEM WB

Preceding instruction already complete

Squash succeeding instructions

Prevent from modifying state

'Trap' instruction jumps to trap handler

Hardware saves PC in IAR

Trap handler must save IAR

Interrupts, cont.

Example: Arithmetic Exception

	1	2	3	4	5	6	7	8	
i	IF	ID	EX	MEM	WB				
i+1		IF	ID	EX	MEM	WB			
i+2			IF	ID	EX	MEM	WB	← Exception (EX)	
i+3				IF	ID	EX	MEM	WB ← squash	
i+4					IF	ID	EX	MEM	WB ← squash
i+5				trap →	IF	ID	EX	MEM	WB
i+6			trap handler →	IF	ID	EX	MEM	WB	

Let preceding instructions complete

Squash succeeding instruction

Interrupts, cont.

Example: Illegal Opcode

	1	2	3	4	5	6	7	8
i	IF	ID	EX	MEM	WB			
i+1		IF	ID	EX	MEM	WB		
i+2			IF	ID	EX	MEM	WB	
i+3				IF	ID	EX	MEM	WB ← ill. op (ID)
i+4					IF	ID	EX	MEM WB ← squash
i+5				trap →	IF	ID	EX	MEM WB
i+6				trap handler →	IF	ID	EX	MEM WB

Let preceding instructions complete

Squash succeeding instruction

Interrupts, cont.

Example: Out-of-order Interrupts

	1	2	3	4	5	6	7	8
i	IF	ID	EX	MEM	WB	<-	page fault	(MEM)
i+1		IF	ID	EX	MEM	WB	<-	page fault (IF)
i+2			IF	ID	EX	MEM	WB	
i+3				IF	ID	EX	MEM	WB

Which page fault should we take?

For precise interrupts – Post interrupts on a status vector associated with instruction, disable later writes in pipeline

- Check interrupt bit on entering WB

- Longer latency

For imprecise interrupts – Handle immediately

- Interrupts may occur in different order than on a sequential machine

- May cause implementation headaches

Interrupts, cont.

Other complications

- Odd bits of state (e.g., CCs)

- Earlywrites (e.g., autoincrement)

- Outoforder execution

Interrupts come at random times

- The frequent case isn't everything

- The rare case **MUST** work correctly

Multicycle Operations

Not all operations complete in one cycle

Floating point arithmetic is inherently slower than integer arithmetic

2 to 4 cycles for multiply or add

20 to 50 cycles for divide

Extend basic 5-stage pipeline

EX stage may repeat multiple times

Multiple function units

Not pipelined for now

Handling Multicycle Operations

Four Functional Units

EX: Integer unit

E*: FP/integer multiplier

E+: FP adder

E/: FP/integer divider

Assume

EX takes one cycle & all FP units take 4

Separate integer and FP registers

All FP arithmetic from FP registers

Worry about

Structural hazards

RAW hazards & forwarding

WAR & WAW between integer & FP ops

Simple Multicycle Example

	1	2	3	4	5	6	7	8	9	10	11
int	IF	ID	EX	MEM	WB						
fp*		IF	ID	E*	E*	E*	E*	MEM	WB		
int			IF	ID	EX	MEM	WB?	(1)			
fp/				IF	ID	E/	E/	E/	E/	MEM	WB
int					IF	ID	EX	**	MEM	WB	(2)
fp/				(3)	IF	ID	**	**	E/	E/	
int					(4)	IF	**	**	ID	EX	

Notes

- (1) WAW possible only if?
- (2) Stall forced by?
- (3) Stall forced by?
- (4) Stall forced by?

Simple Multicycle Example**

	1	2	3	4	5	6	7	8	9	10	11
int	IF	ID	EX	MEM	WB						
fp*		IF	ID	E*	E*	E*	E*	MEM	WB		
int			IF	ID	EX	MEM	WB?	(1)			
fp/				IF	ID	E/	E/	E/	E/	MEM	WB
int					IF	ID	EX	**	MEM	WB	(2)
fp/				(3)	IF	ID	**	**	E/	E/	
int					(4)	IF	**	**	ID	EX	

Notes

- (1) WAW possible only if int is a load
- (2) Stall forced by
- (3) Stall forced by
- (4) Stall forced by

Simple Multicycle Example**

	1	2	3	4	5	6	7	8	9	10	11
int	IF	ID	EX	MEM	WB						
fp*		IF	ID	E*	E*	E*	E*	MEM	WB		
int			IF	ID	EX	MEM	WB?	(1)			
fp/				IF	ID	E/	E/	E/	E/	MEM	WB
int					IF	ID	EX	**	MEM	WB	(2)
fp/				(3)	IF	ID	**	**	E/	E/	
int					(4)	IF	**	**	ID	EX	

Notes

- (1) WAW possible only if int is a load
- (2) Stall forced by MEM / WB conflict
- (3) Stall forced by
- (4) Stall forced by

Simple Multicycle Example**

	1	2	3	4	5	6	7	8	9	10	11
int	IF	ID	EX	MEM	WB						
fp*		IF	ID	E*	E*	E*	E*	MEM	WB		
int			IF	ID	EX	MEM	WB?	(1)			
fp/				IF	ID	E/	E/	E/	E/	MEM	WB
int					IF	ID	EX	**	MEM	WB	(2)
fp/				(3)	IF	ID	**	**	E/	E/	
int					(4)	IF	**	**	ID	EX	

Notes

- (1) WAW possible only if int is a load
- (2) Stall forced by MEM / WB conflict
- (3) Stall forced by structural conflict
- (4) Stall forced by

Simple Multicycle Example**

	1	2	3	4	5	6	7	8	9	10	11
int	IF	ID	EX	MEM	WB						
fp*		IF	ID	E*	E*	E*	E*	MEM	WB		
int			IF	ID	EX	MEM	WB?	(1)			
fp/				IF	ID	E/	E/	E/	E/	MEM	WB
int					IF	ID	EX	**	MEM	WB	(2)
fp/				(3)	IF	ID	**	**	E/	E/	
int					(4)	IF	**	**	ID	EX	

Notes

- (1) WAW possible only if int is a load
- (2) Stall forced by MEM / WB conflict
- (3) Stall forced by structural conflict
- (4) Stall forced by inorder issue

FP Instruction Issue

Check for RAW data hazard (in ID)

Wait until source registers are not used as destinations by instructions in EX that will not be available when needed

Check for forwarding

Bypass data from other stages, if necessary

Check for structural hazard in function unit

Wait until function unit is free (in ID)

Check for structural hazard in MEM / WB

Instructions stall in ID

Instructions stall before MEM

Static priority (e.g., FU with longest latency)

FP Instruction Issue (Cont.)

Check for WAW hazards

```
DIVF F0, F2, F4
```

```
SUBF F0, F8, F10
```

SUBF completes first

(1) Stall SUBF

(2) Abort DIVF's WB

WAR hazards?

FP Instruction Issue (Cont.)**

Check for WAW hazards

```
DIVF F0, F2, F4
```

```
SUBF F0, F8, F10
```

SUBF completes first

(1) Stall SUBF

(2) Abort DIVF's WB

WAR hazards

Read early, write late

More Multicycle Operations

Problems with Interrupts

```
DIVF F0, F2, F4
```

```
ADDF F2, F8, F10
```

```
SUBF F6, F4, F10
```

ADDF and SUBF complete before DIVF

Out-of-order completion

Possible imprecise interrupt

What happens if DIVF generates an exception after ADDF and SUBF complete??

We'll discuss solutions later